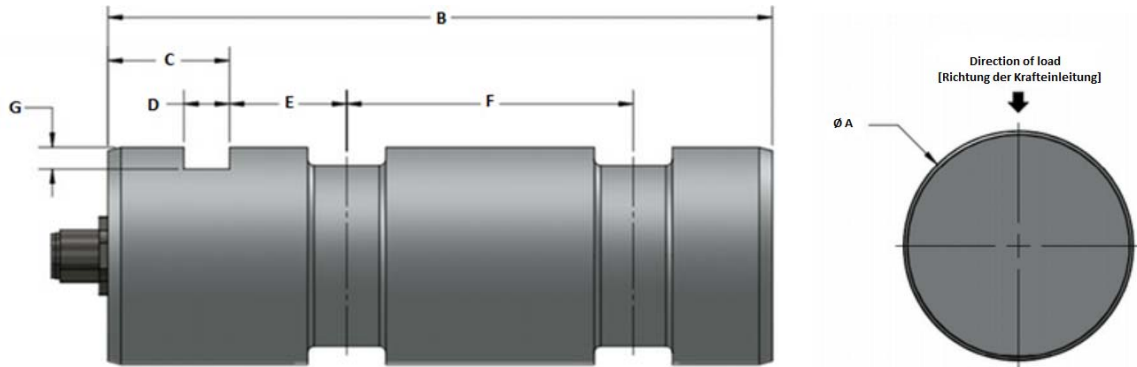


Configuration [Konfiguration]



	mm		mm		mm		mm
A		C		E		G	
B		D		F			

Application [Anwendung]

Capacity [Messbereich]		Output signal [Ausgangssignal]		Certification required [Zertifizierung erforderlich]	
	Tonne [Tonne]		mV/V		No [Nein]
	kg		4-20 mA		Yes, which one [Ja, welche]
	klbf		0-10V		
	kN		digital		
	Other [Andere]		Other [Andere]		

Protection Class [Schutzart]		cable length or connector type [Kabellänge oder Steckerart]	
IP65			
IP66			
IP67			
IP68			
IP69K			

Special requirements [Sonderwünsche]

Customers contact details [Kontakt Daten des Kunden]

Company [Firma]	
Name	
Phone number [Telefonnummer]	
E-Mail	

Please send back to info@interfaceforce.de
 Bitte zurücksenden an info@interfaceforce.de