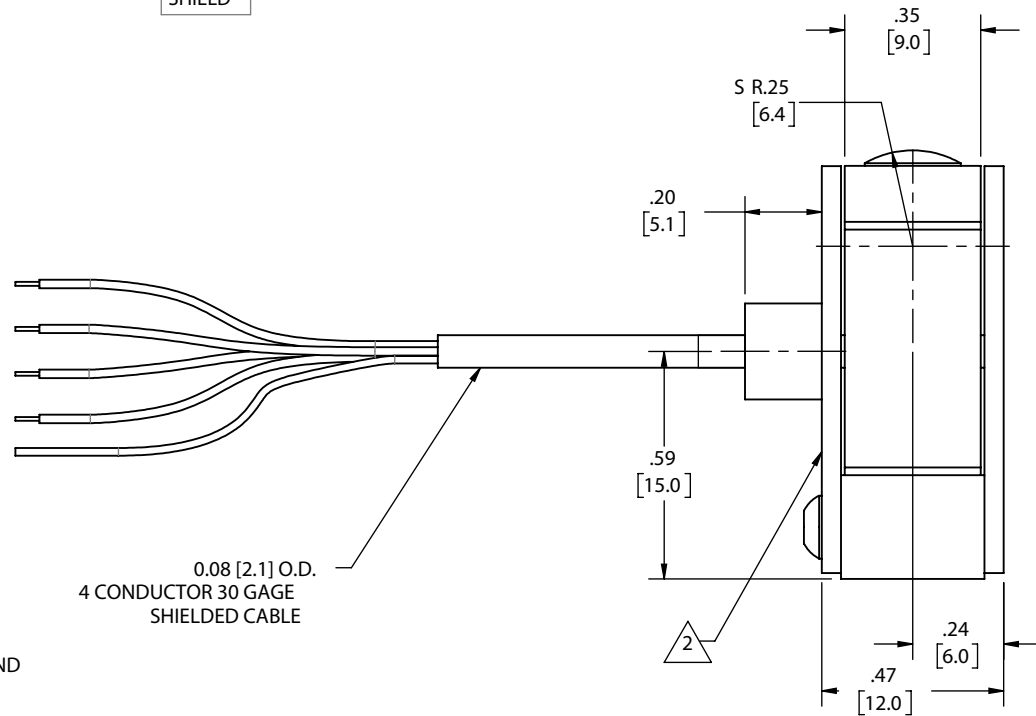
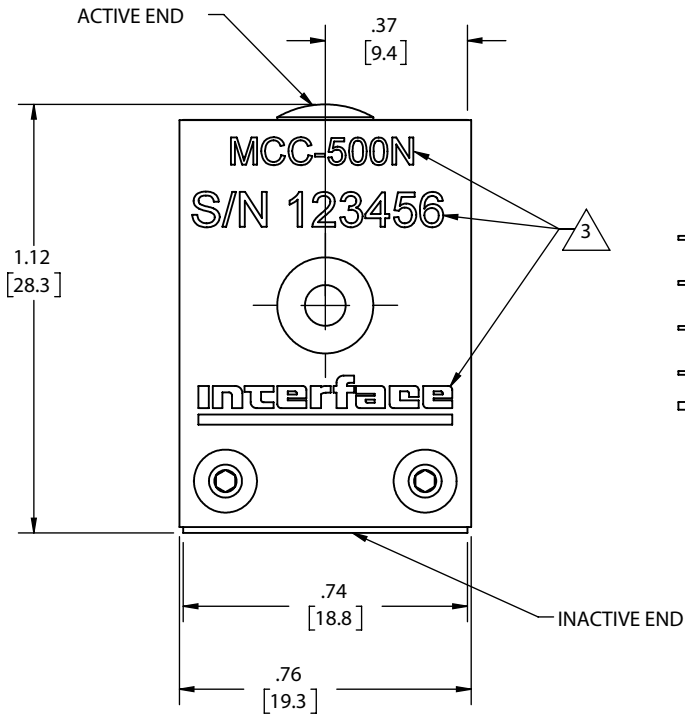
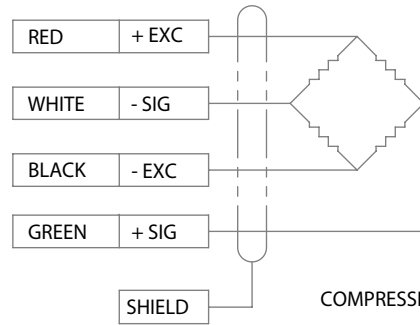
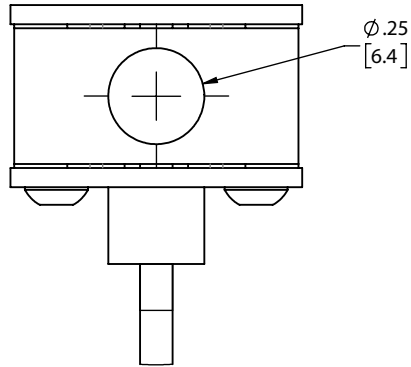


LOAD CELL CHARACTERISTICS	
CAPACITY	500 N

Interface Inc. claims proprietary rights in the information disclosed hereon. This drawing is furnished in confidence on the express understanding that neither it nor any reproduction thereof will be disclosed to others or used for the purpose of manufacture or procurement of the article or part shown hereon without written permission of Interface Inc. The drawing shall remain the property of Interface Inc. and shall be returned upon request by Interface Inc.

80267			
REVISIONS			
REV.	DESCRIPTION	DATE	APPROVED
A	INITIAL RELEASE	04/30/99	
B	ADDED LOGO LABEL	05/25/99	
C	REDRAWN, UPDATED BOTH LABELS	02/21/2017	BB
D	"+SIG" WAS "-OUT"; "-SIG" WAS "+OUT"	12/03/2018	RMP



3 LASER MARK MODEL NUMBER, SERIAL NUMBER AND LOGO.

2 COVER MATERIAL: ALUMINUM

1. CABLE LENGTH IS 5 FT [1.5 M]

UNLESS OTHERWISE SPECIFIED
DIMENSIONS ARE IN INCHES [mm]
TOLERANCES ARE:
ANGLES ± 0° 30'
.XX ± .01 [0.25]
.XXX ± .005 [0.13]

CREATOR	DATE
DESIGNED:	
DETAILED: JEP	4/14/1999
WEIGHT: (APPROX) 0.03 (lbs)	

Interface
FORCE MEASUREMENT SOLUTIONS. 7418 E. HELM DRIVE
SCOTTSDALE, AZ 85260 USA

TITLE:
**OUTLINE MODEL:
MCC-500N**

SIZE: A	DWG. NO: 80267	REV: D
SCALE: 2:1	SHEET 1 OF 1	