

T8 DOUBLE FLEX/PEDESTAL MOUNT T-SERIES COUPLINGS (U.S. & METRIC)

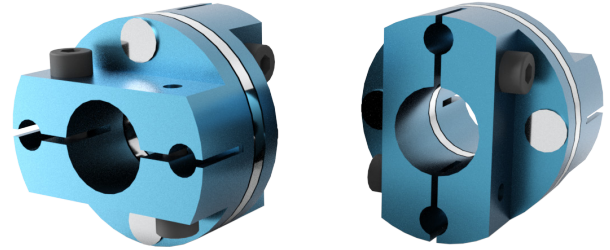
FEATURES & BENEFITS

- Capacities: 0.2, 0.5, 1, 2, 5, 10, 20
- For fixed torque sensor installation

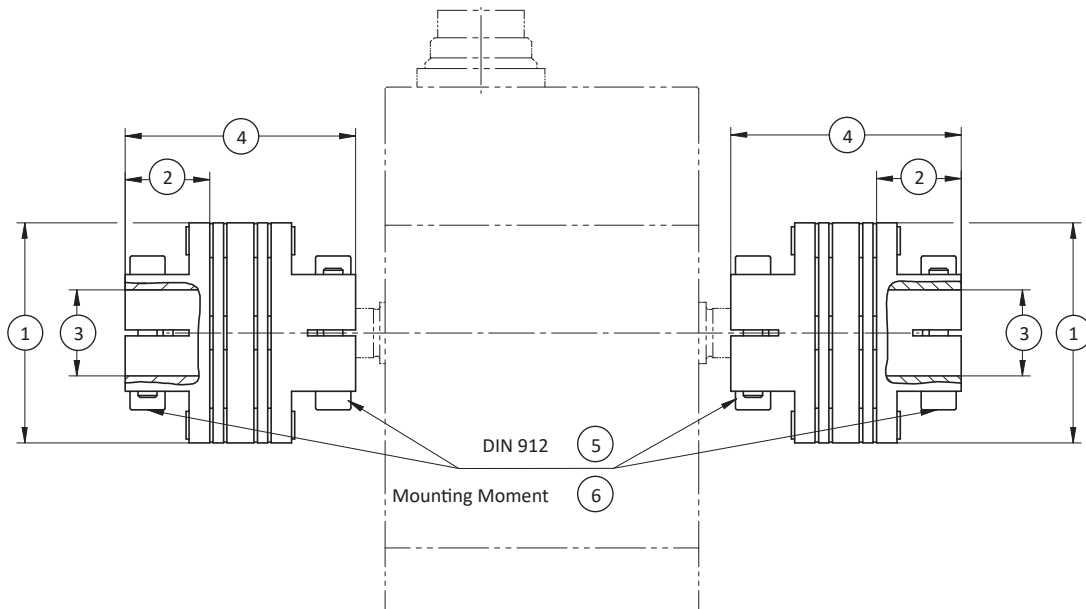
COUPLING SIZES

Capacity	Coupling	Coupling Size
0.2	0.4	25
0.5, 1	1.6	37
2, 5	6.2	50
10, 20	24.7	62

STANDARD CONFIGURATION



MODEL 969-25-M8-XXX/969K-25-M8-XXX (Shown)



DIMENSIONS

Capacity	Coupling	Coupling Size	Speed Limit [min ⁻¹] ³	(1)		(2)		(3)		(4)		(5)	(6)	
				mm	U.S.	mm	U.S.	mm	U.S.	mm	U.S.	mm	mm	U.S.
0.2	0.4	25	80000	∅25.4	∅1.0	9.0	0.35	∅3 - 10	∅0.11 - 0.39	20.2	0.79	M3	1.3	0.05
0.5, 1	1.6	37	55000	∅35.8	∅1.4	13.2	0.51	∅4 - 14	∅0.15 - 0.55	29.1	1.14	M4	3.0	0.11
2, 5	6.2	50	45000	∅44.5	∅1.75	13.4	0.52	∅6 - 18	∅0.23 - 0.70	30.4	1.19	M5	5.9	0.23
10, 20	24.7	62	35000	∅57.4	∅2.25	16.1	0.63	∅8 - 24	∅0.31 - 0.94	36.6	1.44	M5	5.9	0.23

T8 DOUBLE FLEX/PEDESTAL MOUNT T-SERIES COUPLINGS (U.S. & METRIC)

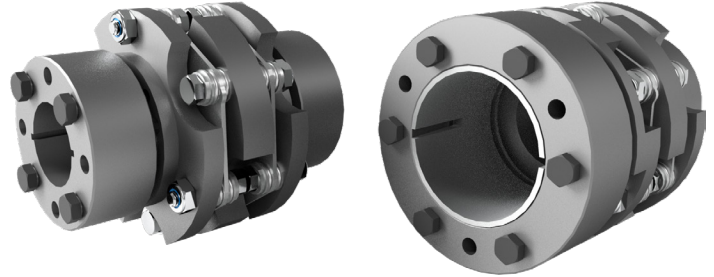
FEATURES & BENEFITS

- Capacities: 50, 100, 150, 200
- For fixed torque sensor installation

COUPLING SIZES

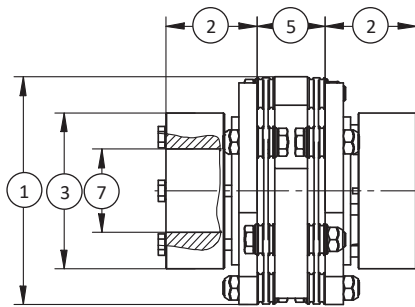
Capacity	Coupling	Coupling Size
50, 100, 150	190	16
200	290	25

STANDARD CONFIGURATION

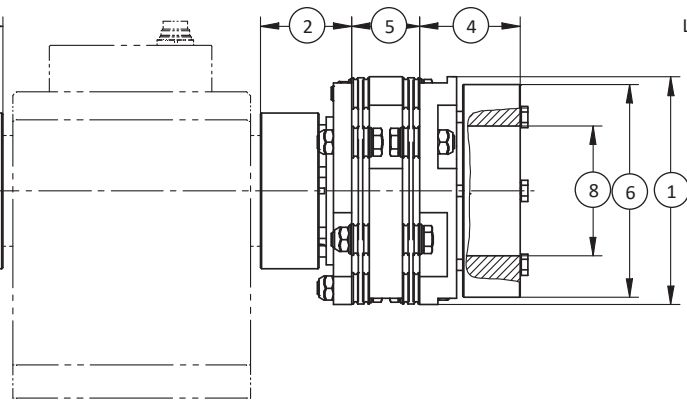


MODEL 951E321-M18-XXX/951E341-M18-XXX (Shown)

Shrink Disc Hub
External Clamping



Large Shrink Disc Hub



DIMENSIONS

Capacity	Coupling	Coupling Size	Speed Limit [min ⁻¹] ^a	(1)		(2)		(3)		(4)		(5)		(6)		(7)		(8)	
				mm	U.S.	mm	U.S.	mm	U.S.	mm	U.S.	mm	U.S.	mm	U.S.	mm	U.S.	mm	U.S.
50, 100, 150	190	16	13600	Ø77	Ø3.0	35	1.3	Ø53	Ø2.0	40	1.5	26.2	1.03	77	3.0	Ø14 min Ø26 max	Ø0.5 min Ø1.0 max	Ø25 min Ø45 max	Ø0.9 min Ø1.7 max
200	290	25	11800	Ø89	Ø3.5	40	1.5	Ø64	Ø2.5	45	1.7	26.4	1.04	82	32	Ø20 min Ø36 max	Ø0.7 min Ø1.4 max	Ø32 min Ø52 max	Ø1.2 min Ø2.0 max

T8 DOUBLE FLEX/PEDESTAL MOUNT T-SERIES COUPLINGS (U.S. & METRIC)

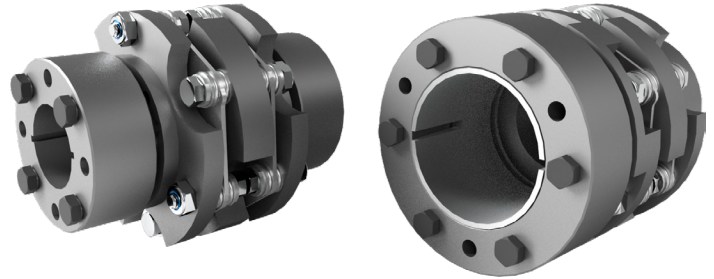
FEATURES & BENEFITS

- Capacities: 50, 100, 150, 200
- For fixed torque sensor installation

COUPLING SIZES

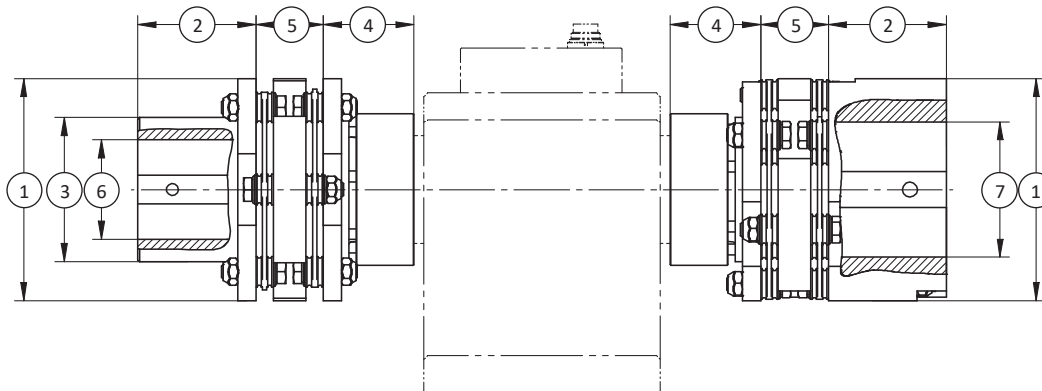
Capacity	Coupling	Coupling Size
50, 100, 150	190	16
200	290	25

STANDARD CONFIGURATION



MODEL 951E301-M18-XXXX/951E311-M18-XXXX
(Shown)

Key Hub



Large Key Hub

DIMENSIONS

Capacity	Coupling	Coupling Size	Speed Limit [min ⁻¹] ⁶	(1)		(2)		(3)		(4)		(5)		(6)		(7)	
				mm	U.S.	mm	U.S.	mm	U.S.	mm	U.S.	mm	U.S.	mm	U.S.	mm	U.S.
50, 100, 150	190	16	13600	Ø77	Ø3.0	40	1.5	Ø50	Ø1.9	35	1.3	26.2	1.03	Ø16 min Ø32 max	Ø0.6 min Ø1.2 max	Ø30 min Ø45 max	Ø1.1 min Ø1.7 max
200	290	25	11800	Ø89	Ø3.5	45	1.7	Ø60	Ø2.3	40	1.5	26.4	1.04	Ø20 min Ø40 max	Ø0.7 min Ø1.5 max	Ø35 min Ø55 max	Ø1.3 min Ø2.1 max

T8 DOUBLE FLEX/PEDESTAL MOUNT T-SERIES COUPLINGS (U.S. & METRIC)

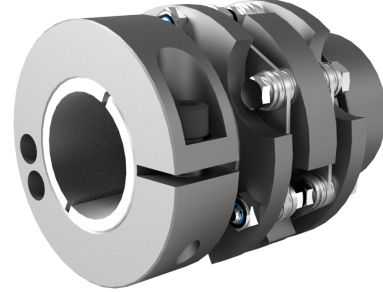
FEATURES & BENEFITS

- Capacities: 50, 100, 150, 200
- For fixed torque sensor installation

COUPLING SIZES

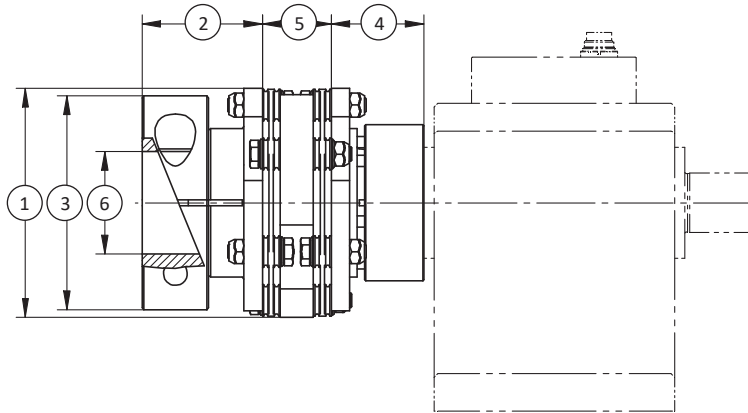
Capacity	Coupling	Coupling Size
50, 100, 150	190	16
200	290	25

STANDARD CONFIGURATION



MODEL 951E341-M18-XXX (Shown)

Clamping Ring Hub



DIMENSIONS

Capacity	Coupling	Coupling Size	Speed Limit [min ⁻¹] ³	(1)		(2)		(3)		(4)		(5)		(6)	
				mm	U.S.	mm	U.S.	mm	U.S.	mm	U.S.	mm	U.S.	mm	U.S.
50, 100, 150	190	16	13600	∅77	∅3.0	40	1.5	∅73	∅2.8	35	1.3	26.2	1.03	∅20 min ∅35 max	∅0.7 min ∅1.3 max
200	290	25	11800	∅89	∅3.5	45	1.7	∅84	∅3.3	40	1.5	26.4	1.04	∅22 min ∅40 max	∅0.8 min ∅1.5 max