

T8 FLOATING MOUNT SINGLE FLEX T-SERIES COUPLINGS (U.S. & METRIC)

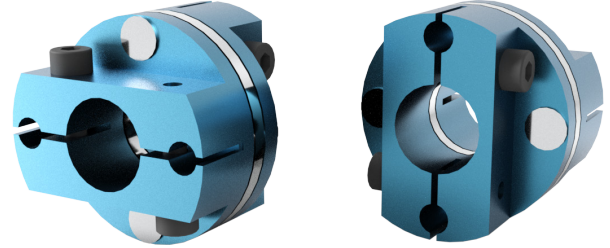
FEATURES & BENEFITS

- Capacities: 00.2, 0.5, 1, 2, 5, 10, 20
- For free floating torque sensor assembly

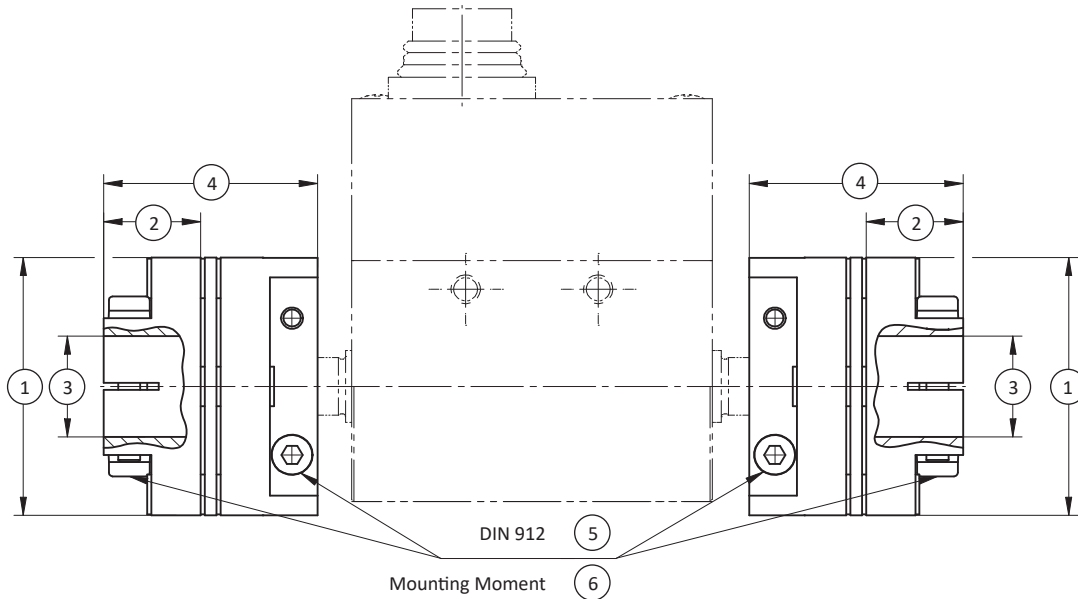
COUPLING SIZES

Capacity	Coupling	Coupling Size
0.2	0.4	25
0.5, 1	1.6	37
2, 5	6.2	50
10, 20	24.7	62

STANDARD CONFIGURATION



MODEL 966-37-M8-XXX/966K-37-M8-XXX (Shown)



DIMENSIONS

Capacity	Coupling	Coupling Size	Speed Limit [min ⁻¹] ³	(1)		(2)		(3)		(4)		(5)	(6)	
				mm	U.S.	mm	U.S.	mm	U.S.	mm	U.S.	mm	mm	U.S.
0.2	0.4	25	80000	∅25.4	∅1.0	9.0	0.35	∅3 - 10	∅0.11 - 0.39	20.2	0.79	M3	1.3	0.05
0.5, 1	1.6	37	55000	∅35.8	∅1.4	13.2	0.51	∅4 - 14	∅0.15 - 0.55	29.1	1.14	M4	3.0	0.11
2, 5	6.2	50	45000	∅44.5	∅1.75	13.4	0.52	∅6 - 18	∅0.23 - 0.70	30.4	1.19	M5	5.9	0.23
10, 20	24.7	62	35000	∅57.4	∅2.25	16.1	0.63	∅8 - 24	∅0.31 - 0.94	36.6	1.44	M5	5.9	0.23

T8 FLOATING MOUNT SINGLE FLEX T-SERIES COUPLINGS (U.S. & METRIC)

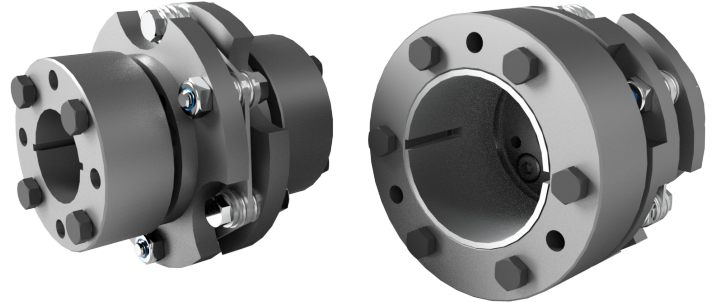
FEATURES & BENEFITS

- Capacities: 50, 100, 150, 200
- For free floating torque sensor assembly

COUPLING SIZES

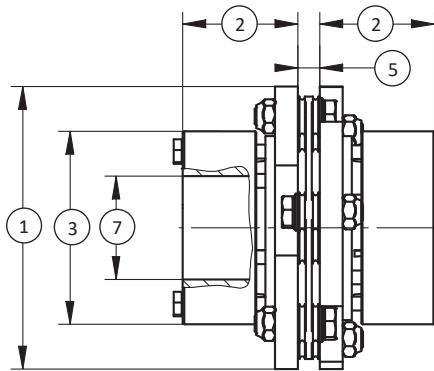
Capacity	Coupling	Coupling Size
50, 100, 150	190	16
200	290	25

STANDARD CONFIGURATION

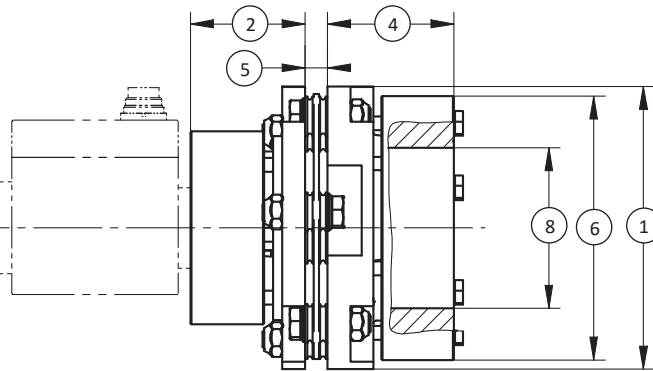


MODEL 9950E340-M18-XXX/950E310-M18-XXXX
(Shown)

Shrink Disc Hub
External Clamping



Large Shrink Disc Hub



DIMENSIONS

Capacity	Coupling	Coupling Size	Speed Limit [min ⁻¹] ^a	(1)		(2)		(3)		(4)		(5)		(6)		(7)		(8)	
				mm	U.S.	mm	U.S.	mm	U.S.	mm	U.S.	mm	U.S.	mm	U.S.	mm	U.S.	mm	U.S.
50, 100, 150	190	16	13600	∅77	∅3.0	35	1.3	∅53	2.0	40	1.5	7.1	0.27	77	3.0	∅14 min ∅26 max	∅0.5 min ∅1.0 max	∅25 min ∅45 max	∅0.9 min ∅1.7 max
200	290	25	11800	∅89	∅3.5	40	1.5	∅64	2.5	45	1.7	7.2	0.28	82	3.2	∅20 min ∅36 max	∅0.7 min ∅1.4 max	∅32 min ∅52 max	∅1.2 min ∅2.0 max

T8 FLOATING MOUNT SINGLE FLEX T-SERIES COUPLINGS (U.S. & METRIC)

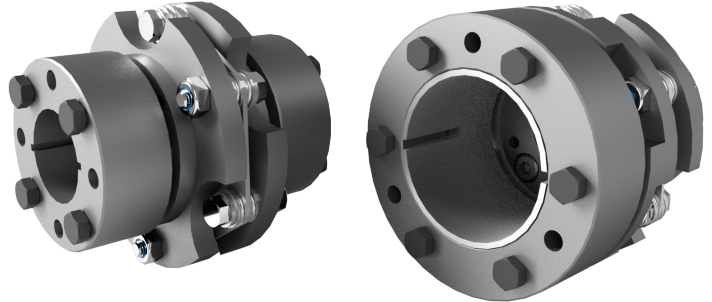
FEATURES & BENEFITS

- Capacities: 50, 100, 150, 200
- For free floating torque sensor assembly

COUPLING SIZES

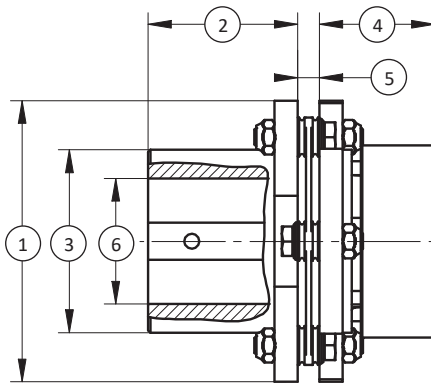
Capacity	Coupling	Coupling Size
50, 100, 150	190	16
200	290	25

STANDARD CONFIGURATION

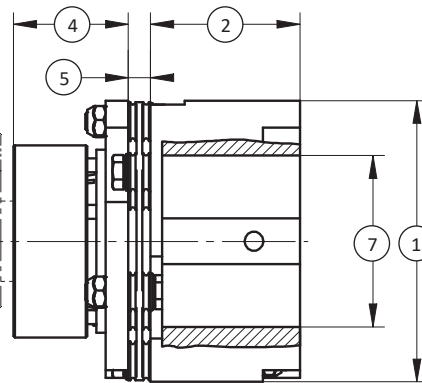


MODEL 950E300-M18-XXXX/950E310-M18-XXXX
(Shown)

Key Hub



Large Key Hub



DIMENSIONS

Capacity	Coupling	Coupling Size	Speed Limit [min ⁻¹] ⁹	(1)		(2)		(3)		(4)		(5)		(6)		(7)	
				mm	U.S.	mm	U.S.	mm	U.S.	mm	U.S.	mm	U.S.	mm	U.S.		
50, 100, 150	190	16	13600	Ø77	Ø3.0	40	1.5	Ø53	2.0	35	1.3	7.1	0.27	Ø16 min Ø32 max	Ø0.6 min Ø1.2 max	Ø30 min Ø45 max	Ø1.1 min Ø1.7 max
200	290	25	11800	Ø89	Ø3.5	45	1.7	Ø64	2.5	40	1.5	7.2	0.28	Ø20 min Ø40 max	Ø0.7 min Ø1.5 max	Ø35 min Ø55 max	Ø1.3 min Ø2.1 max

T8 FLOATING MOUNT SINGLE FLEX T-SERIES COUPLINGS (U.S. & METRIC)

FEATURES & BENEFITS

- Capacities: 50, 100, 150, 200
- For free floating torque sensor assembly

COUPLING SIZES

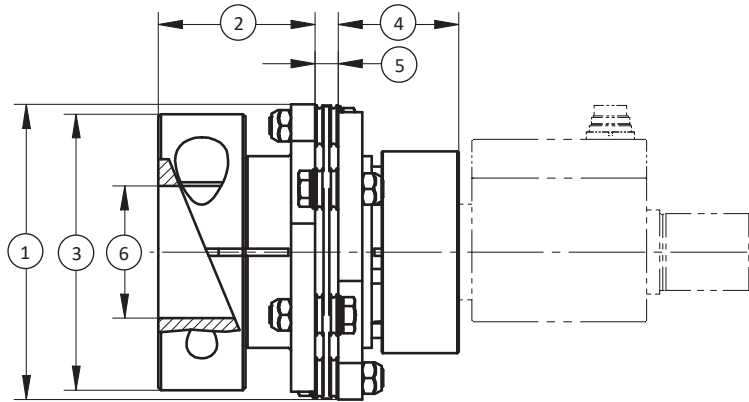
Capacity	Coupling	Coupling Size
50, 100, 150	190	16
200	290	25

STANDARD CONFIGURATION



MODEL 950E340-M18-XXX (Shown)

Clamping Ring Hub



DIMENSIONS

Capacity	Coupling	Coupling Size	Speed Limit [min ⁻¹] ¹²	(1)		(2)		(3)		(4)		(5)		(6)	
				mm	U.S.	mm	U.S.	mm	U.S.	mm	U.S.	mm	U.S.	mm	U.S.
50, 100, 150	190	16	13600	Ø77	Ø3.0	40	1.5	Ø73	Ø2.8	35	1.3	7.1	0.27	Ø20 min Ø35 max	Ø0.7 min Ø1.3 max
200	290	25	11800	Ø89	Ø3.5	45	1.7	Ø84	Ø3.3	40	1.5	7.2	0.28	Ø22 min Ø40 max	Ø0.8 min Ø1.5 max