

LOAD CELL CHARACTERISTICS

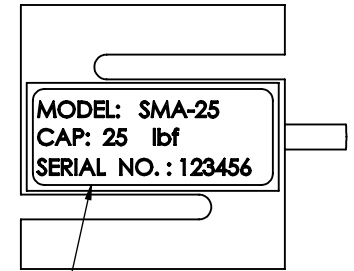
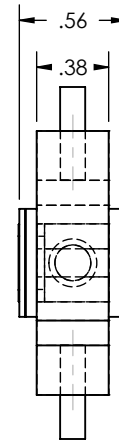
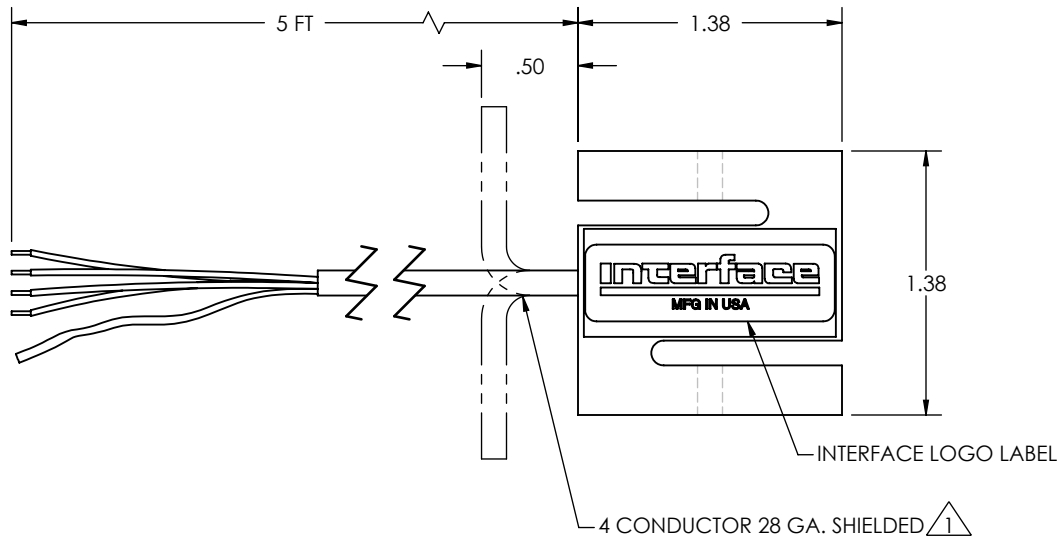
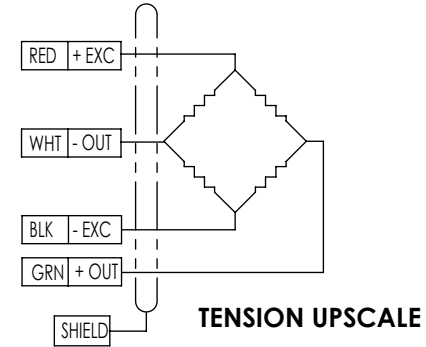
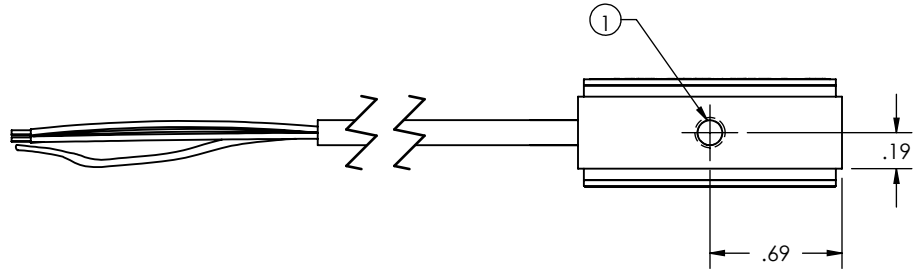
#	CAPACITY	US CAPACITIES	SI CAPACITIES
1	MOUNTING HOLE THREAD	10, 15, 25, 50, 100, 150, 200	60N, 500N, 600N, 900N
		# 10-32 UNF-2B	M4 X .7-6H

Interface Inc. claims proprietary rights in the information disclosed herein. This drawing is furnished in confidence on the express understanding that neither it nor any reproduction thereof will be disclosed to others or used for the purpose of manufacture or procurement of the article or part shown herein without written permission of Interface Inc. The drawing shall remain the property of Interface Inc. and shall be returned upon request by Interface Inc.

REVISIONS

80627

REV.	DESCRIPTION	DATE	APPROVED
A	INITIAL RELEASE	05/02/06	
B	NOTE 3 CHANGED, OUTLINE FORMAT UPDATED	02/02/16	LCG
C	SWITCHED LOGO AND DATA LABELS; ADDED VIEW SHOWING SECOND LABEL	10/25/2016	DLC
D	150LB CAPACITY ADDED	8/14/2017	RMP



DATA LABEL INCLUDING MODEL, CAPACITY AND SERIAL NUMBER

UNLESS OTHERWISE SPECIFIED DIMENSIONS ARE IN INCHES [mm]
 TOLERANCES ARE:
 ANGLES ± 0° 30'
 .XX ± .01 [0.25]
 .XXX ± .005 [0.13]

CREATOR	DATE
DESIGNED: BRIAN S.	04/17/2006
DETAILED: J.E.P.	04/17/2006
WEIGHT: (APPROX) 0.08 (lbs)	

interface
 ADVANCED FORCE MEASUREMENT
 7401 E. BUTHERUS DR. SCOTTSDALE, AZ USA 85260

TITLE:	OUTLINE MODEL: SMA	
SIZE:	DWG. NO:	REV:
A	80627	D
SCALE: 1:1	SHEET 1 OF 1	