

SSMH SEALED S-TYPE LOAD CELL FOR HAZARDOUS ENVIRONMENTS (U.S. & METRIC)

FEATURES & BENEFITS

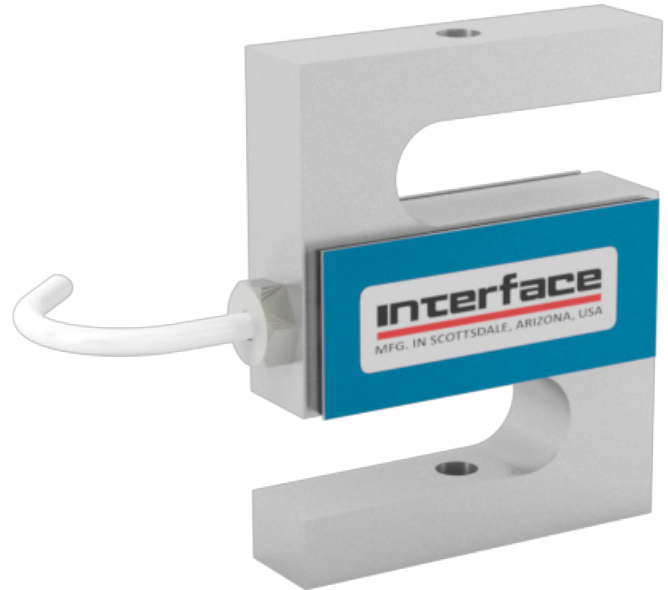
- Tension and compression
- Environmentally sealed IP65
- Certified for use in hazardous locations when installed per supplied instructions
- High temperature rated, up to 290°F (143°C)
- Ex ib IIC T4 Gb (-40° < Ta < 112°C)
- Ex ib IIIC T160°C Db (-40° < Ta < 143°C)
- 15 ft (5 m) cable



SPECIFICATIONS

ACCURACY – (MAX ERROR)				
Nonlinearity – %FS		±0.05		
Hysteresis – %FS		±0.03		
Nonrepeatability – %RO		± 0.02		
Creep, in 20 min – %		± 0.025		
TEMPERATURE				
Compensated range	°F	0 to +150		
	°C	-15 to +65		
Operating range	°F	-40 to +290		
	°C	-40 to +143		
Effect on zero – %RO MAX	°F	±0.0015		
	°C	±0.0027		
ELECTRICAL				
Rated output – mV/V (Nominal)		3		
Zero balance – %RO		±1		
Bridge resistance – Ohm (Nominal)		350		
Excitation voltage – VDC MAX		15		
Insulation resistance – Megohm		> 5000		
MECHANICAL				
Calibration		Tension		
Safe overload – %CAP		150		
NATURAL FREQUENCY/DEFLECTION				
lbf	N	Deflection		Nat. Freq. (Hz)
		in	mm	
50	200	0.003	0.08	1500
100	500	0.004	0.1	1850
150	700	0.004	0.1	2000
250	1K	0.006	0.15	2350
500	2K	0.005	0.13	2150
750	3K	0.005	0.13	2350
1K	5K	0.005	0.13	3350
2K	10K	0.005	0.13	2400
3K	15K	0.005	0.13	3000
5K	20K	0.005	0.13	2520
Material	50 to 1K lbf		Aluminum	
	200 to 5K N			
	2K to 5K lbf		Alloy steel	
	10K to 20K N			

STANDARD CONFIGURATION



Model SSMH (Shown)

INTRINSIC SAFETY ENTITY PARAMETERS

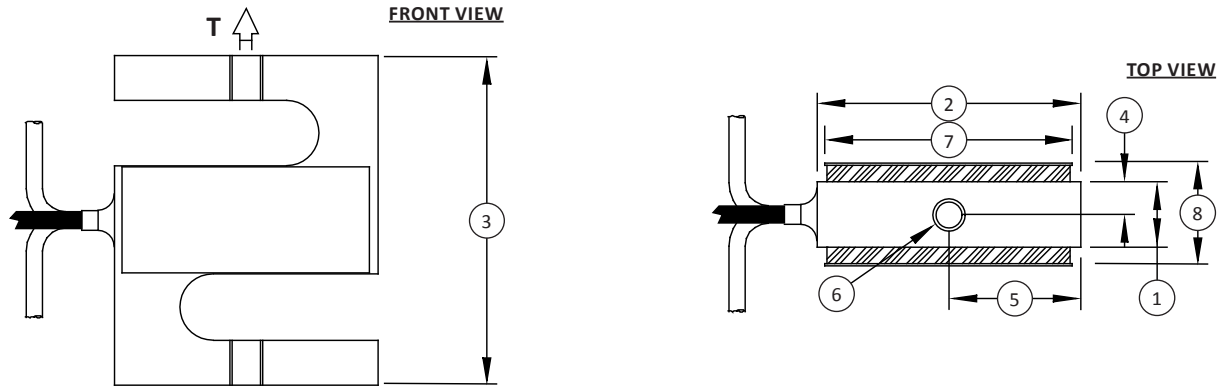
Ui	20 V
Ii	460 mA
Pi	1.3 W
Ci*	15 nF
Li*	51 µH

*With up to 300 ft (100 m) cable

OPTIONS

- Cable length
- Custom calibration
- Special temperature range

SSMH SEALED S-TYPE LOAD CELL FOR HAZARDOUS ENVIRONMENTS (U.S. & METRIC)



Notes:
* T indicates tension load direction / primary axis

DIMENSIONS

See Drawing	CAPACITY					
	U.S. (lbf)	Metric (N)	U.S. (lbf)	Metric (N)	U.S. (lbf)	Metric (N)
	50, 100, 150, 250	200, 500, 700, 1K	500, 750, 1K, 2K, 3K	2K, 3K, 5K, 10K, 15K	5K	20K
	in	mm	in	mm	in	mm
(1)	0.50	12.7	1.00	25.4	1.50	38.1
(2)	2.00	50.8	2.00	50.8	2.50	63.5
(3)	2.50	63.5	3.00	76.2	3.50	88.9
(4)	0.25	6.40	0.50	12.7	0.75	19.1
(5)	1.00	25.4	1.00	25.4	1.25	31.8
(6)	¼-28 UNF-2B	M6 x 1-6H	½-20 UNF-2B	M12 x 1.75-6H	⅝-18 UNF-2B	M16 x 2-6H
(7)	1.88	47.8	1.88	47.8	2.38	60.5
(8)	0.70	17.8	1.20	35.0	1.72	43.7