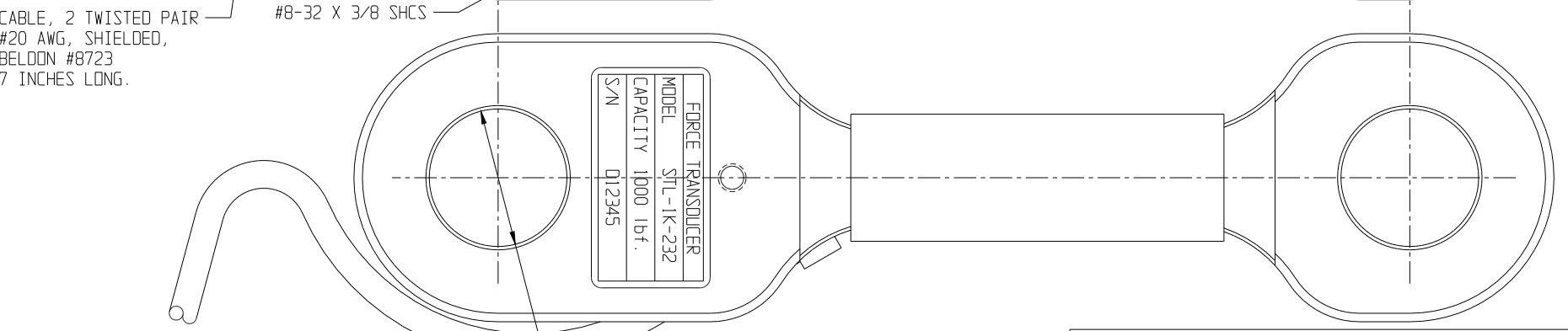
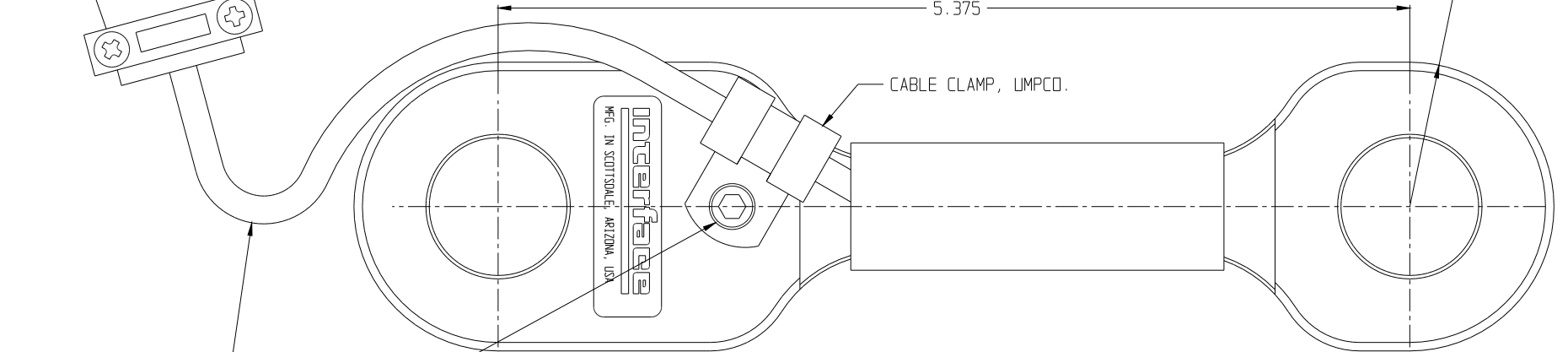
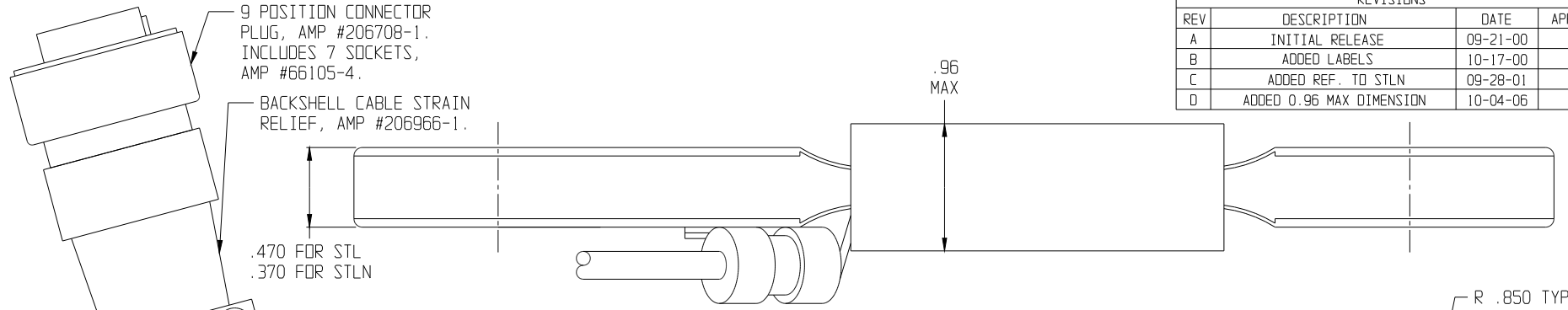


REVISIONS			
REV	DESCRIPTION	DATE	APPROVED
A	INITIAL RELEASE	09-21-00	
B	ADDED LABELS	10-17-00	
C	ADDED REF. TO STLN	09-28-01	
D	ADDED 0.96 MAX DIMENSION	10-04-06	



MATERIAL: 2024-T351 ALUMINUM.

UNLESS OTHERWISE SPECIFIED
 ANGLES +/- 0°30'
 TWO DECIMALS +/- .010
 THREE DECIMALS +/- .005
 STD. RADII .015-.035
 Ø ROUNDT .002
 REMOVE BURRS & SHARP EDGES .02 MAX
 SURFACE FINISH 63 MICROINCHES

Interface, Inc.
 7401 E. BUTHERJUS DR. SCOTTSDALE, ARIZONA 85260

TITLE: OUTLINE, STL AND STLN DWG NO.: 80315

SIZE: A DRAWN BY: SBS DATE: 09-21-00 REV: D

SCALE: NONE APPROVED BY: SHEET 1 OF 1

Interface Inc. claims propriety rights in the information disclosed hereon. This drawing is furnished in confidence on the express understanding that neither it nor any reproduction thereof will be disclosed to others or used for the purpose of manufacture or procurement of the article or part shown hereon without written permission of Interface Inc. The drawing shall remain Interface's property and shall be returned on Interface's request.