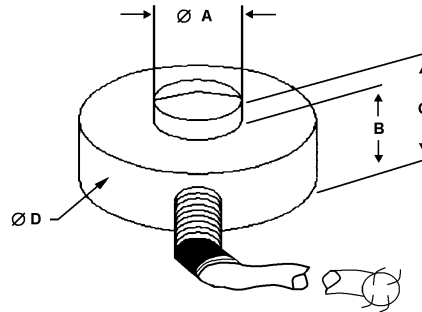


Calibration Certification and Installation Information



Dimensions, inch (mm)

Capacity	A	B	C	D
5, 10, 25, 50	0.09 (2.2)	0.09 (2.2)	0.12 (3.0)	0.38 (9.6)
100,250	0.12 (3.0)	0.13 (3.3)	0.15 (3.8)	0.50 (12.7)
500, 1K	0.24 (6.1)	0.22 (5.6)	0.25 (6.4)	0.75 (19.1)
2K	0.25 (6.4)	0.25 (6.4)	0.29 (7.4)	0.75 (19.1)

Electrical

Wire Color Code

Color	Function
Red	+ Excitation
Green	- Output
White	+ Output
Black	- Excitation
Shield	No Connection

Cable length: 5ft std.

Application

To achieve rated performance the mounting and loading surfaces must be hard, flat, smooth,

Specifications

Safe Overload	150% RO	Nonlinearity	0.5% FS
Nonrepeatability	0.1% FS	Hysteresis	0.5% FS
Excitation, nom.	5 V	Compensated Temp Range	60 to 160 °F
Excitation, max.	7V	Operating Temp Range	-65 to 250 °F
Load Cell Material	Stainless Steel	Temperature Effect on Zero	0.005% RO/°F

Calibration

Model	LBS-250	Capacity	250 lbf
Serial	G337805	Date	11-SEP-2014
Input Resistance	375.3 Ohm	Rated Output	2.07640 mV/V
Output Resistance	351.6 Ohm	Zero Balance	-0.01160 mV/V

Recommended re-calibration interval: 12 months

Interface Inc., 7401 E. Butherus Dr., Scottsdale, AZ 85260, USA
 Phone: 480-948-5555 FAX: 480-948-1924 www.interfaceforce.com

