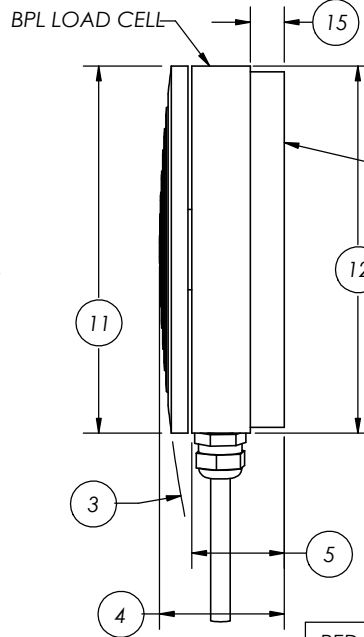
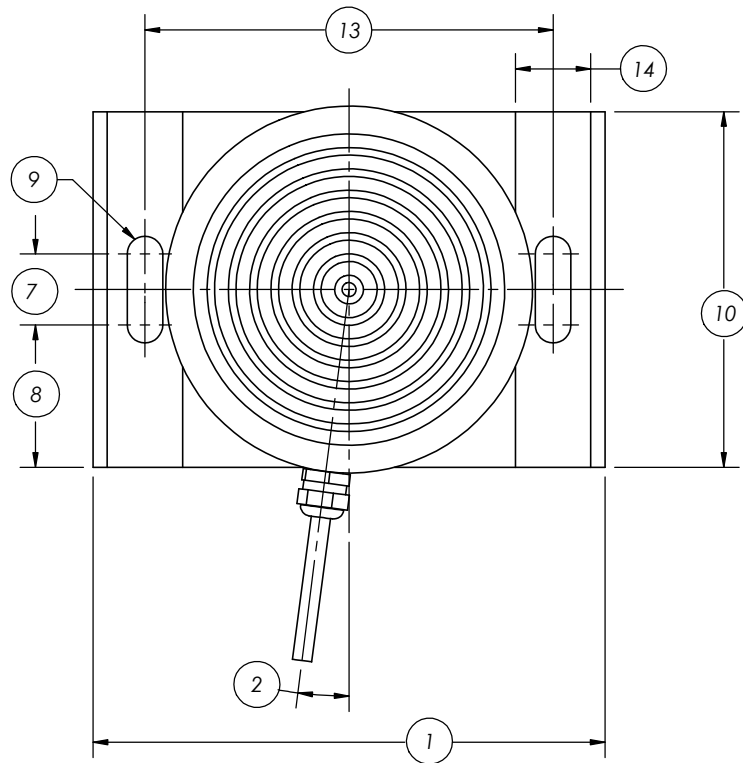


Interface Inc. claims proprietary rights in the information disclosed hereon. This drawing is furnished in confidence on the express understanding that neither it nor any reproduction thereof will be disclosed to others or used for the purpose of manufacture or procurement of the article or part shown hereon without written permission of Interface Inc. The drawing shall remain the property of Interface Inc. and shall be returned upon request by Interface Inc.

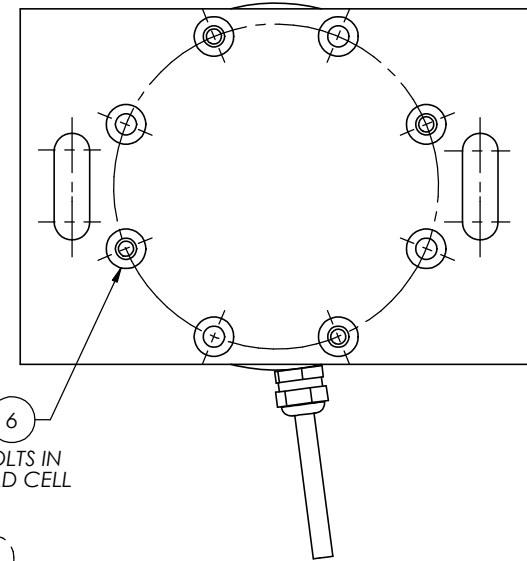
80494

REVISIONS

REV	DESCRIPTION	DATE	APPROVED
A	INITIAL RELEASE	07/11/05	



SUPPLIED HARDWARE



4 BOLTS IN LOAD CELL

RED + EXC

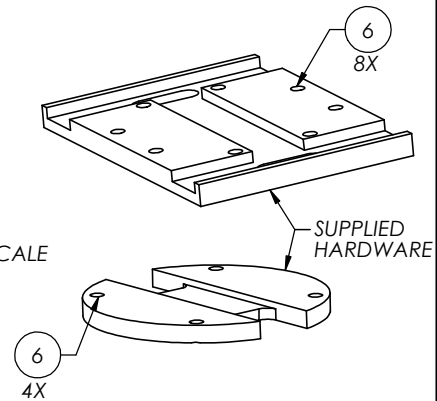
WHITE - OUT

BLACK - EXC

GREEN + OUT

SHIELD

COMPRESSION UPSCALE



SUPPLIED HARDWARE

LOAD CELL CHARACTERISTICS		CAPACITIES
	U.S. CAPACITIES	50, 100, 200, 300, 500 lbf
	S.I. CAPACITIES	250, 500, 1000, 1500, 2500 (N)
1	OVERALL LENGTH	3.60 (91.4)
2	CABLE OFFSET ANGLE	7°
3	SPHERICAL RADIUS	10 (254)
4	OVERALL HEIGHT	0.88 (22.3)
5	MOUNTING PLATE TO LOAD CELL SURFACE	0.63 (16.5)
6	MTG. HOLES (EQ SP ON A 2.285 B.C.)	#6-32 UNC
7	SLOTTED HOLE LENGTH	0.50 (12.7)
8	SLOTTED HOLE OFFSET	1.00 (25.4)
9	SLOTTED HOLE RADIUS	0.12 (3.2)
10	MOUNTING PLATE HEIGHT	2.50 (63.5)
11	LOAD BUTTON DIAMETER	2.58 (65.5)
12	LOAD CELL DIAMETER	2.58 (65.5)
13	OVERALL SLOTTED HOLE DISTANCE	2.87 (72.9)
14	WIDTH OF SLOT	0.53 (13.5)
15	MOUNTING PLATE HEIGHT	0.24 (6.1)
16	CABLE LENGTH	10 ft

2. DIMENSIONAL TOLERANCE: ± 0.01 (± 0.3)

1. DIMENSIONS IN INCHES AND (MM).

REMOVE BURRS AND SHARP EDGES .02 MAX SURFACE FINISH 63 MICROINCHES	
CREATOR	DATE
DESIGNED: LARRY B.	06/23/04
DETAILED: J.E.P.	06/29/04
CAM DATA: No	

<b>interface</b>	
ADVANCED FORCE MEASUREMENT	
7401 E. BUTHERUS DR. SCOTTSDALE, AZ USA 85260	
TITLE: OUTLINE MODEL: BPL	
SIZE: A	DWG. NO: 80494
SCALE: 1:1.35	SHEET 1 OF 1
REV: A	