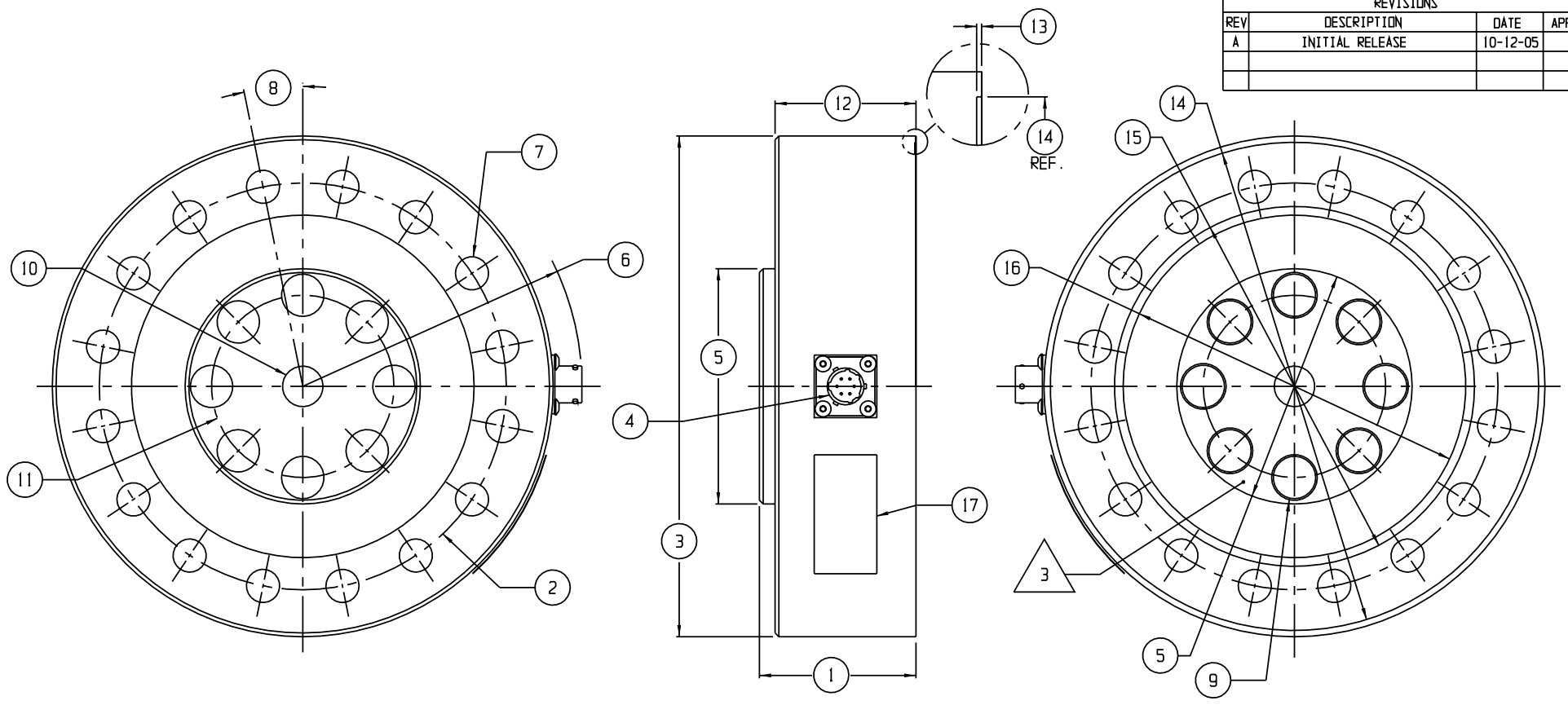


REVISIONS

REV	DESCRIPTION	DATE	APPROVED
A	INITIAL RELEASE	10-12-05	



LOAD CELL CHARACTERISTICS		SI CAPACITIES
#	CAPACITY	250 (kN)
1	HUB SURFACE TO MOUNTING SURFACE	2.50 (63.5)
2	MOUNTING BOLT CIRCLE	6.50 (165.1)
3	OUTSIDE DIAMETER	8.00 (203.2)
4	CONNECTOR TYPE	PT02E-10-6P
5	HUB SURFACE DIAMETER	3.76 (95.5)
6	ROTATIONAL CLEARANCE	4.46 (113.2)
7	MOUNTING BOLT THRU HOLE	Ø0.50 (12.7)
8	MOUNTING BOLT OFFSET ANGLE	11.25°
9	FLANGE MOUNTING HOLES	Ø0.650 (16.51) THRU, C'SINK Ø 0.730 X 90°
10	ALIGNMENT HOLE	Ø0.6299-0.6306 THRU (16.000-16.018 THRU)
11	FLANGE MOUNTING BOLT CIRCLE	2.80 (71.0)
12	BOLT SURFACE TO MOUNTING SURFACE	2.25 (57.2)
13	RECESSED SURFACE BETWEEN MOUNTING RINGS	0.02 (0.5)
14	OUTER RING I.D.	Ø7.80 (198.1)
15	INNER RING O.D.	Ø5.75 (146.0)
16	INNER RING I.D.	Ø5.47 (138.9)
17	IDENTIFICATION LABEL INCLUDING: MODEL, CAPACITY, SERIAL NUMBER & OUTPUT	

△ FLANGE BOLT SURFACE BELOW FLEXURE MOUNTING RINGS 0.02 (0.5).

2. DIMENSIONAL TOLERANCE: ± 0.01 (± 0.3)

1. DIMENSIONS IN INCHES & (MM)

Interface, Inc. 7401 E. BUTHERUS DR. SCOTTSDALE, ARIZONA 85260			
TITLE: OUTLINE MODEL: 1238-250KN FLANGE MOUNT HUB		DWG NO.: 80590	
SIZE: C	DRAWN BY: JEP	DATE: 10-12-05	REV: A
SCALE: 1:1.25		APPROVED BY:	SHEET 1 OF 1
<small>Interface Inc. claims propriety rights in the information disclosed herein. This drawing is furnished in confidence on the express understanding that neither it nor any reproduction thereof will be disclosed to others or used for the purpose of manufacture or procurement of the article or part shown herein without written permission of Interface Inc. The drawing shall remain Interface's property and shall be returned on Interface's request.</small>			