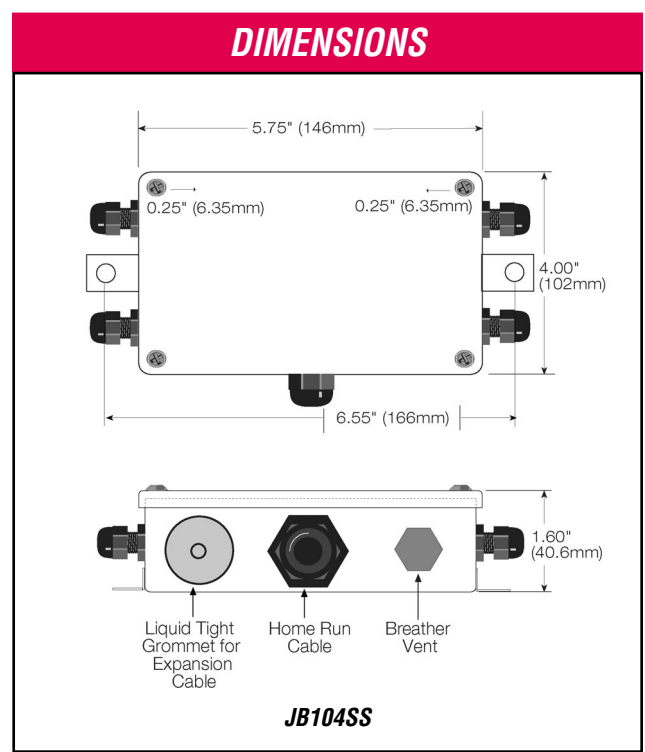


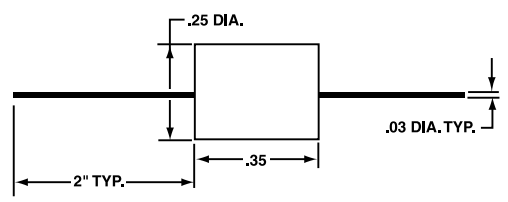
Junction Boxes

In its most basic form a junction box provides a convenient method for wiring multiple load cells to a single indicator. Junction boxes are commonly used in weighing applications where a tank or scale is supported by more than one load cell. The individual load cell cables are wired into the junction box and then a single cable connects the junction box to the instrumentation.

The JB104SS is a small 4x6.5x1.75 inch stainless steel NEMA 4 rated box suitable for installations where space is limited. Standard configuration is for up to 4 load cells and provides three trim ranges; no trim, 10% and 30%. Spring clips are used for the load cell connections.

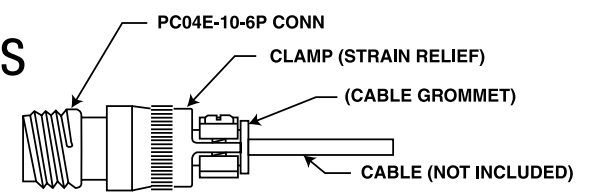


RCAL Resistors



RCAL RESISTORS		
MODEL	RESISTANCE (Kohm)	APPLICATION
RS-100-30K	30 ±0.01%	4mV/V Load Cells
RS-100-40K	40 ±0.01%	3mV/V Load Cells
RS-100-60K	60 ±0.01%	2mV/V Load Cells
RS-100-120K	120 ±0.01%	1mV/V Load Cells

Mating Connector Assemblies



Mating Connectors

TRANSDUCER		MATING CONNECTOR	
Model	Receptacle Type	Plug Type	Order Number
1000, 1100, 1200 Standard	PC04E-10-6P	PC06W-10-6S	MC-001
1000, 1100, 1200 Bayonet	PT02E-10-6P	PT06A-10-6S (SR)	CN-207
1216	PT02E-12-8P	PT06A-12-8S (SR)	MC-002
1500	PT02E-10-6P	PT06A-10-6S (SR)	CN-207
1600, 1800	PT02E-12-8P	PT06A-12-8S (SR)	MC-002
2420, 2430	PTW1H-10-6P	PT06A-10-6S (SR)	CN-207
2440, 2450	MS3102E-14S-6P	MS3106A-14S-6S	CN-208
2160, 2161	MS3102A-14S-5P	MS3106A-14S-5S	CN-214
5200	PC04E-10-6P	PC06W-10-6S	MC-001
WMC-20K, 30K, 50K	PT02E-10-6P	PT06A-10-6S (SR)	CN-207
SSM	PC04E-10-6P	PC06W-10-6S	MC-001

Transducer Interconnect Cable Assemblies

For connecting transducers with receptacles to instrumentation

INTERCONNECT CABLE ASSEMBLY

		INSTRUMENT END				
TRANSDUCER	TRANSDUCER END	UNIVERSAL	9820, 9300, SGA, DCA, DMA	9830, 9840	9850	9320
Model	Plug Type	Pigtail	Screw Term	DE-9P	DE-9P	Binder
1000, 1100, 1200 Standard	PC06A-10-6S(SR)	CT-101-10	CT-101-10	CT-173-10	CT-516-10	CT-236-10
1000, 1100, 1200 Bayonet	PT06A-10-6S(SR)	CT-152-10	CT-152-10	CT-175-10	CT-249-10	CT-239-10
1216	PT06A-12-8S(SR)	CT-222-10	CT-222-10	CT-246-10	*	*
1500	PT06A-10-6S(SR)	CT-152-10	CT-152-10	CT-175-10	CT-249-10	CT-239-10
1600, 1800	PT06A-12-8S(SR)	CT-153-10	CT-153-10	CT-177-10	*	CT-237-10
2420, 2430	PT06A-10-6S(SR)	CT-179-10	CT-179-10	CT-254-10	CT-251-10	CT-253-10
2440, 2450	MS3106A-14S-6S	CT-204-10	CT-204-10	CT-260-10	*	CT-252-10
2160, 2161	MS3106A-14S-5S	CT-259-10	CT-259-10	CT-191-10	*	CT-255-10
5200	PC06A-10-6S(SR)	CT-101-10	CT-101-10	CT-173-10	*	CT-236-10
WMC-20K, 30K, 50K	PC06A-10-6S(SR)	CT-179-10	CT-179-10	CT-254-10	*	CT-253-10
SSM	PC06A-10-6S(SR)	CT-101-10	CT-101-10	CT-173-10	*	CT-236-10

CABLE SPECIFICATION FOR ABOVE ASSEMBLIES

NOTE: "CT" prefix on cable assembly order numbers is for the most common polarity which is tension upscale. For compression upscale substitute "CC".

"-10" suffix on cable assembly part number is the most common cable length of 10 ft. Other lengths may be ordered by substituting the desired length in feet.

EXAMPLE: For a 20 ft cable to connect to a model 1221HL-50K transducer and have the convention of the green pigtail as + signal for a compression load, order CC-101-20.

*Call factory for more information.

INSTRUMENT CONNECTION SELECTION GUIDE

INSTRUMENT		EXTRA MATING PLUG		Order number for extra plug plus installation on end of transducer integral cable	
Model	Receptacle	Type	Order Number	Tension Upscale	Compression Upscale
9320	Binder	Binder	CN-219	MIC-9320-T	MIC-9320-C
9830	DE-9S	DE-9P	CN-212	MIC-9830-T	MIC-9830-C
9840	DE-9S	DE-9P	CN-212	MIC-9840-T	MIC-9840-C
9850	DE-9S	DE-9P	CN-212	MIC-9850-T	MIC-9850-C
500	DE-9S	DE-9P	CN-212	MIC-500-T	MIC-500-C

Instruments not listed use screw terminal connections.