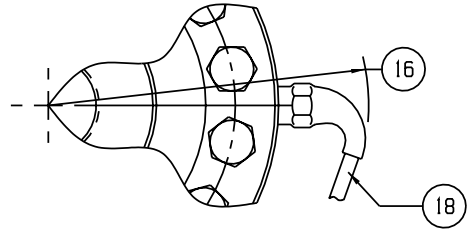
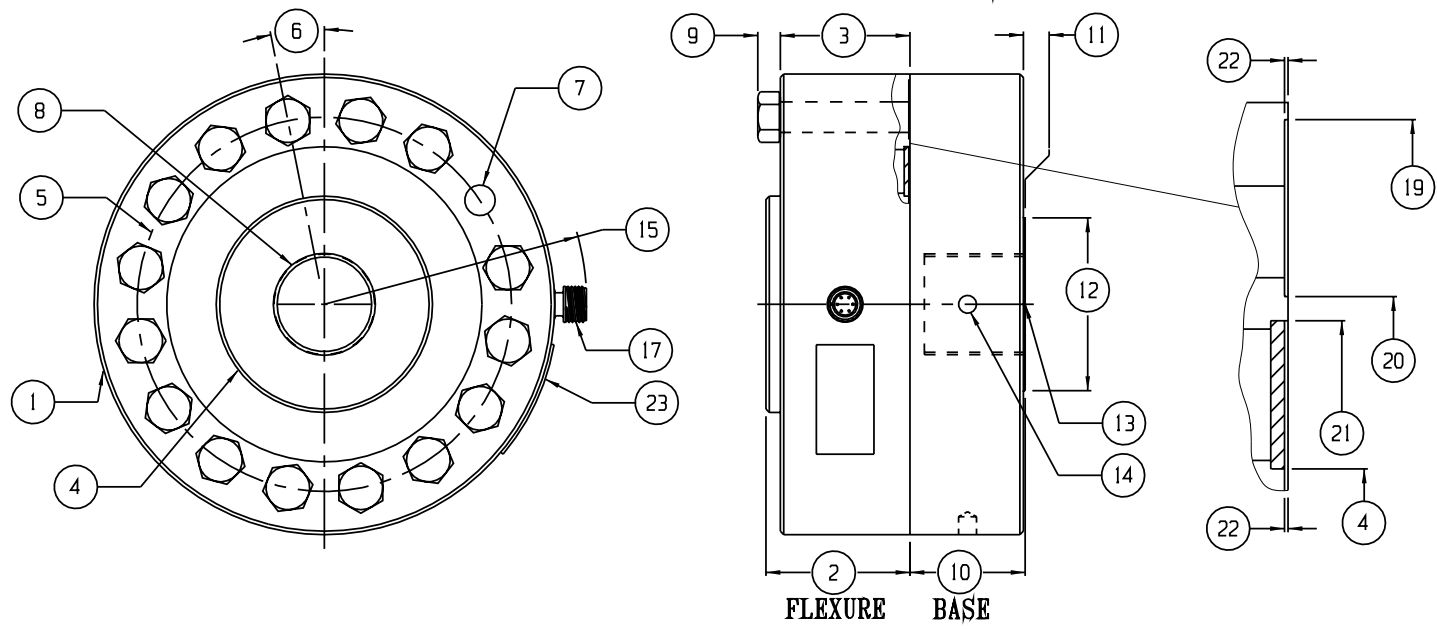


REVISIONS			
REV	DESCRIPTION	DATE	APPROVED
A	ADDED OUTER & INNER RING SECTION	05-19-06	



CONNECTOR MODELS		INTEGRAL CABLE MODELS	
PIN	FUNCTION	COLOR	FUNCTION
A	+ EXCITATION	RED	+ EXCITATION
B	+ OUTPUT	GREEN	+ OUTPUT
C	- OUTPUT	WHITE	- OUTPUT
D	- EXCITATION	BLACK	- EXCITATION
E	NO CONNECTION	WHITE/RED	+ SENSE
F	NO CONNECTION	WHITE/BLACK	- SENSE
STANDARD CONNECTION		WHITE/YELLOW	SHUNT CAL.
		SHIELD	NO CONNECTION

ALL READ UPSCALE IN TENSION AND DOWNSCALE IN COMPRESSION

#	LOAD CELL CHARACTERISTICS	U.S. CAPACITIES		SI CAPACITIES	
	CAPACITY:	50K	100K (lbf)	225	450 (kN)
1	OUTSIDE DIAMETER	8.00 (203.2)			
2	HUB SURFACE TO MOUNTING SURFACE	2.50 (63.5)			
3	BOLT SURFACE TO MOUNTING SURFACE	2.25 (57.2)			
4	HUB SURFACE DIAMETER	3.76 (95.5)			
5	MOUNTING BOLT CIRCLE	6.50 (165.1)			
6	ANGLE	11.25°			
7	MOUNTING BOLT HOLE	Ø 0.53 (13.5) THRU			
8	FLEXURE THREAD & DEPTH	1.750-12 UNF-3B X 2.15 DEEP C' BORE Ø 1.770 X 0.12 DEEP	M42 X 2-4H X 54.6 DEEP C' BORE Ø 1.675 X 0.12 DEEP		
9	BOLT HEAD HEIGHT	0.40 (10.2)			
10	BASE HEIGHT	2.00 (50.8)			
11	BASE PAD HEIGHT	0.03 (0.8)			
12	BASE PAD DIAMETER	3.00 (76.2)			
13	BASE THREAD & DEPTH	1.750-12 UNF-3B X 1.75 DEEP C' BORE Ø 1.770 X 0.12 DEEP	M42 X 2-4H X 44.5 DEEP C' BORE Ø 1.675 X 0.12 DEEP		
14	(4) SPANNER HOLES SPACED AT 90°	Ø 0.31 X .31 DEEP (Ø 7.9 X 7.9) DEEP			
15	ROTATIONAL CLEARANCE (CONNECTOR)	4.63 (117) MIN			
16	ROTATIONAL CLEARANCE (INTEGRAL CABLE)	5.75 (146) MIN			
17	CONNECTOR TYPE	PC04E-10-6P			
18	CABLE TYPE [4]	.25 (6.4) O.D. 7 CONDUCTOR 22 GAGE SHIELDED CABLE			
19	OUTER RING INNER DIAMETER	7.80 (198.1)			
20	INNER RING OUTER DIAMETER	5.75 (146.1)			
21	INNER RING INNER DIAMETER	5.47 (139)			
22	RECESSED HUB SURFACE	0.02 (0.51)			
23	IDENTIFICATION LABEL INCLUDING: MODEL, CAPACITY, SERIAL NUMBER & OUTPUT				

- 5. CONNECTOR/CABLE POSITIONS FOR MULTIPLE BRIDGE ARE AT 90 DEG CCW INCREMENTS
- [4] STANDARD CABLE LENGTH IS 10 FT (3 M) NON-STANDARD CABLE LENGTH PER OPTION CODE
- 3. BASE IS OPTIONAL ON 1032 & 1232, WHERE MODEL NUMBERS ENDING IN (-B) HAVE A BASE INSTALLED
- 2. DIMENSIONAL TOLERANCE: +/- 0.01 (mm +/- 0.3)
- 1. DIMENSIONS IN INCHES & (MM)

Interface, Inc.
7401 E. BUTHERUS DR. SCOTTSDALE, ARIZONA 85260

TITLE:	OUTLINE MODEL:	DWG NO.:
	1032, 1132 & 1232	80008
SIZE: C	DRAWN BY: BKS	DATE: 03-28-95
SCALE: .6:1	APPROVED BY:	SHEET 1 OF 1

Interface Inc. claims propriety rights in the information disclosed herein. This drawing is furnished in confidence on the express understanding that neither it nor any reproduction thereof will be disclosed to others or used for the purpose of manufacture or procurement of the article or part shown herein without written permission of Interface Inc. The drawing shall remain Interface's property and shall be returned on Interface's request.