

Electrical Information

| Load Cell Series | Cell Type | Upscale (4) Mode | Integral Cable Wiring | Std. Cable Type | Cable Length, Feet (5) | Connector Wiring | Mating Connector (2) |
|------------------|-----------|------------------|-----------------------|-----------------|------------------------|------------------|----------------------|
| 1000 | Univ. | Tension | Fig. W1 | A | 10 | Fig. C1 | PC06W-10-6S(SR) |
| 1100 | Univ. | Tension | Fig. W1 | A | 10 | Fig. C1 | PC06W-10-6S(SR) |
| 1100 | Comp. | Tension | Fig. W1 | A | 10 | Fig. C1 | PC06W-10-6S(SR) |
| 1200 | Univ. | Tension | Fig. W1 | A | 10 | Fig. C1 | PC06W-10-6S(SR) |
| 1200 | Comp. | Comp. | Fig. W1 | A | 10 | Fig. C1 | PC06W-10-6S(SR) |
| 1500 | Univ. | Tension | — | — | — | Fig. C1 | PT06W-10-6S(SR) |
| 1600 | Univ. | Tension | — | — | — | Fig. C2 | PT06W-12-8S(SR) |
| 1600 | Comp. | Tension | — | — | — | Fig. C2 | PT06W-12-8S(SR) |
| 1700 | Univ. | Tension | — | — | — | Fig. C2 | PT06W-12-8S(SR) |
| 1800 | Univ. | Tension | — | — | — | Fig. C6 | PT06W-10-6S(SR) |
| 3200 | Univ. | Tension | Fig. W2 | B | 20 | — | — |
| 3200 | Comp. | Tension | Fig. W2 | B | 20 | — | — |
| 4200 | Comp. | Tension | Fig. W2 | B | 20 | — | — |
| 4600 | Comp. | Tension | Fig. W2 | B | 20 | — | — |
| 5200 | Univ. | Tension (1) | Fig. W1 | A | 10 | Fig. C1 | PC06W-10-6S(SR) |
| SSB | Comp. | Comp. | Fig. W2 | C | 5 | — | — |
| MB, MBP | Comp. | Comp. | Fig. W2 | C | 5 | — | — |
| SM | Univ. | Tension | Fig. W2 | C | 5 | — | — |
| SSM | Univ. | Tension | Fig. W2 | A | 10 | Fig. C1 | PC06W-10-6S(SR) |
| SMT | Univ. | Tension | Fig. W2 | D | 5 | — | — |
| SPI | Univ. | Comp. | Fig. W2 | C | 5 | — | — |
| SML | Univ. | Tension | Fig. W2 | D | 5 | — | — |
| LBM | Comp. | Tension | Fig. W2 | G | 5 | — | — |
| LBS | Comp. | Tension | Fig. W2 | G | 5 | — | — |
| LoadCheck | Comp. | Tension | Fig. W1 | A | 10 | — | — |
| LoadTrol | Comp. | Comp. | — | Note (3) | Note (3) | Note (3) | Note (3) |
| LW | Comp. | Comp. | Fig. W2 | — | 5 | — | — |
| WeighCheck | Comp. | Tension | Fig. W2 | B | 30 | — | — |
| WMC | Univ. | Tension | Fig. W3 | G | — | — | — |
| WMC \geq 15K | Univ. | Tension | — | — | — | Fig. C3 | PTW1H-10-6P |
| 2410-2430 | Univ. | Tension | — | — | — | Fig. C3 | PTW1H-10-6P |
| 2440-2450 | Univ. | Tension | — | — | — | Fig. C3 | MS3106A-145-6S |
| 2100 | Univ. | Tension | — | — | — | Fig. C4 | MS3106A-145-5S |
| 2100 | Comp. | Tension | — | — | — | Fig. C4 | MS3106A-145-5S |
| MRT | Torque | CW | W2 | D | 5 | — | — |
| ULC | Univ. | Tension | W2 | D | 5 | — | — |
| MCC | Comp. | Comp. | W2 | E | 5 | — | — |
| CX | — | — | — | — | — | Fig. C5 | PT06W-12-8S(SR) |

Notes: (1) Thrust axis only.

(2) Mating connector for the stock version of cell. Consult factory for alternate connectors and specials.

(3) Consult factory. Several connectors and mating cable types are available.

(4) Indicates the loading direction which causes a positive output.

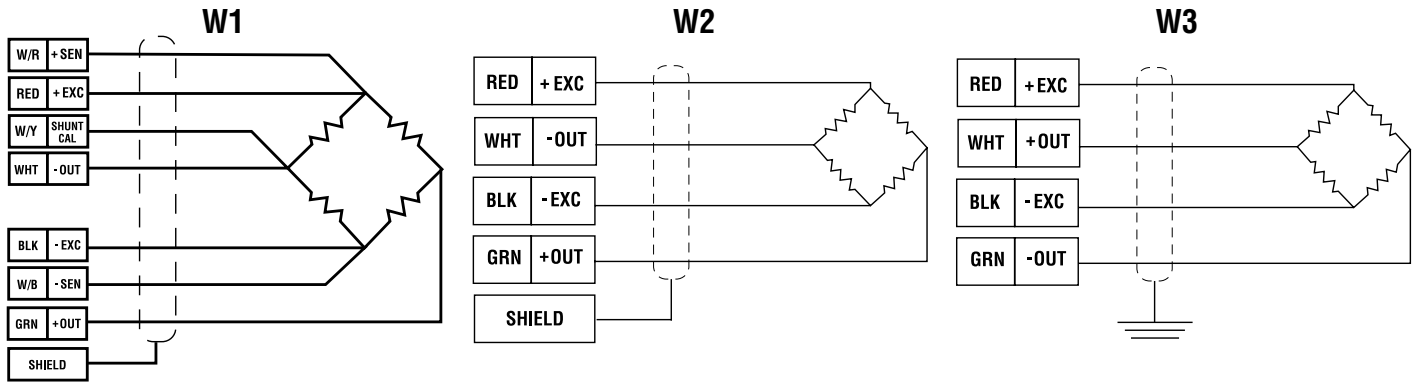
(5) Stock length; other lengths available on special order.

LOAD CELL INTEGRAL CABLES

| Cable Type | Wire Size | No. of Wires | Shield | Description |
|------------|-----------|--------------|--------|----------------------------------|
| A | 22 AWG | 7 | Braid | Heavy-duty, PVC jacket |
| B | 22 AWG | 4 | Braid | Heavy-duty, polyurethane jacket |
| C | 28 AWG | 4 | Braid | Tough, clear PVC jacket |
| D | 28 AWG | 4 | Spiral | Ultra-flexible, black PVC jacket |
| E | 30 AWG | 4 | Braid | Ultra-flexible, gray PVC jacket |
| F | 20 AWG | 4 | Braid | Teflon jacket |
| G | 30 AWG | 4 | Braid | Teflon jacket |

Wiring Diagrams

LOAD CELL CABLE WIRING



LOAD CELL CONNECTOR WIRING

