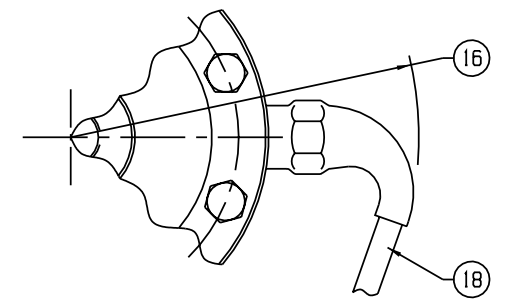
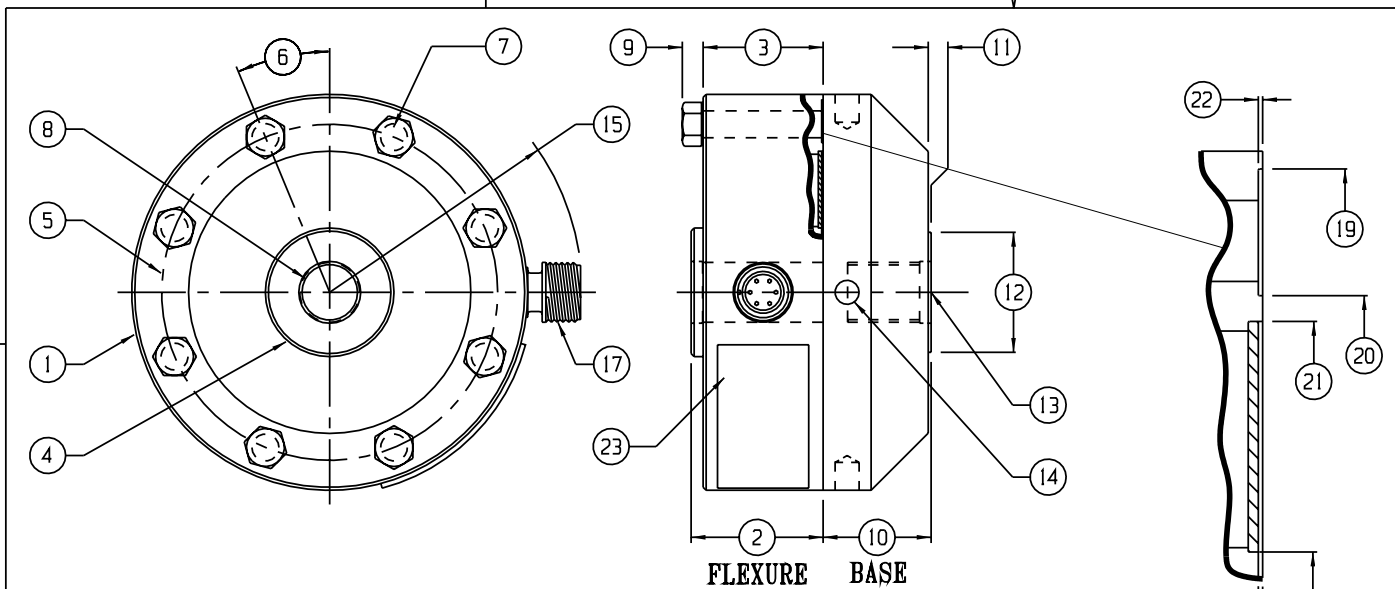


REVISIONS			
REV	DESCRIPTION	DATE	APPROVED
B	# 8, & 13 ADDED COUNTERBORE CALLOUT	12-01-97	
C	ADDED 3K CAPACITY	07-30-98	
D	FLEXURE THREAD DEPTH 1.12 WAS 0.87	04-28-99	
E	UNHIDE NOTE 5 FROM CAD ENTITY LAYER	10-22-03	
F	PRELIMINARY	07-06-06	

CONNECTOR MODELS		INTEGRAL CABLE MODELS	
PIN	FUNCTION	COLOR	FUNCTION
A	+ EXCITATION	RED	+ EXCITATION
B	+ OUTPUT	GREEN	+ OUTPUT
C	- OUTPUT	WHITE	- OUTPUT
D	- EXCITATION	BLACK	- EXCITATION
E	NO CONNECTION	WHITE/RED	+ SENSE
F	NO CONNECTION	WHITE/BLACK	- SENSE
STANDARD CONNECTION		WHITE/YELLOW	SHUNT CAL.
		SHIELD	NO CONNECTION

ALL READ UPSCALE IN TENSION



#	LOAD CELL CHARACTERISTICS	U.S. CAPACITIES	SI CAPACITIES
1	OUTSIDE DIAMETER	4.13 (104.8)	
2	HUB SURFACE TO MOUNTING SURFACE	1.38 (34.9)	
3	BOLT SURFACE TO MOUNTING SURFACE	1.25 (31.7)	
4	HUB SURFACE DIAMETER	1.34 (34.0)	
5	MOUNTING BOLT CIRCLE	3.50 (88.9)	
6	MOUNTING BOLT OFFSET ANGLE	22.5°	
7	MOUNTING BOLT THRU HOLE DIAMETER	0.28 (7.1)	
8	FLEXURE COUNTERBORE & THREAD DEPTH	C'BORE Ø 0.645 X 0.12 DEEP .625-18 UNF-3B X 1.12 DEEP	C'BORE Ø 16.4 X 3.05 DEEP M16 X 2-4H X 28.6 DEEP
9	BOLT HEAD HEIGHT	0.20 (5.1)	
10	BASE HEIGHT	1.13 (28.6)	
11	BASE PAD HEIGHT	0.03 (0.8)	
12	BASE PAD DIAMETER	1.25 (31.8)	
13	BASE COUNTERBORE & THREAD DEPTH	C'BORE Ø 0.645 X 0.12 DEEP .625-18 UNF-3B X 0.87 DEEP	C'BORE Ø 16.4 X 3.05 DEEP M16 X 2-4H X 22.1 DEEP
14	(4) SPANNER HOLES SPACED AT 90	Ø 0.25 X 0.29 DEEP (Ø 6.4 X 7.4 DEEP)	
15	ROTATIONAL CLEARANCE (CONNECTOR)	2.69 (68) MIN	
16	ROTATIONAL CLEARANCE (CABLE)	3.82 (97) MIN	
17	CONNECTOR TYPE	PC04E-10-6P	
18	CABLE TYPE [4]	.25 (6.4) O.D. 7 CONDUCTOR 22 GAGE SHIELDED CABLE	
19	OUTER RING INNER DIAMETER	Ø4.00 (Ø101.6)	
20	INNER RING OUTER DIAMETER	Ø3.12 (Ø79.2)	
21	OUTER DIAPHRAGM RING	Ø2.94 (Ø74.7)	
22	RECESSED HUB SURFACE	0.015 (0.38)	
23	IDENTIFICATION LABEL INCLUDING: MODEL, CAPACITY, SERIAL NUMBER & OUTPUT		

- 5. CONNECTOR/CABLE POSITION FOR MULTIPLE BRIDGE LOAD CELLS ARE ORIENTED IN 90 DEG CCW INCREMENTS.
- [4] STANDARD CABLE LENGTH IS 10 FT (3 M)  
NON-STANDARD CABLE LENGTH PER OPTION CODE
- 3. BASE IS OPTIONAL. MODEL NUMBERS ENDING IN (-B) HAVE A BASE INSTALLED
- 2. DIMENSIONAL TOLERANCE: +/- 0.01 (mm +/- 0.3)
- 1. DIMENSIONS IN INCHES & (MM)

**Interface, Inc.**  
7401 E. BUTHERUS DR. SCOTTSDALE, ARIZONA 85260

TITLE: OUTLINE MODELS: 1010, 1110, & 1210      DWG NO.: 80001

SIZE: C    DRAWN BY: BKS    DATE: 3-24-95    REV: F

SCALE: 1:1    APPROVED BY:    SHEET 1 OF 1

Interface Inc. claims propriety rights in the information disclosed herein. This drawing is furnished in confidence on the express understanding that neither it nor any reproduction thereof will be disclosed to others or used for the purpose of manufacture or procurement of the article or part shown herein without written permission of Interface Inc. The drawing shall remain Interface's property and shall be returned on Interface's request.