

# Model 2451/2461 Standard Stainless Steel Compression-Only Load Cell

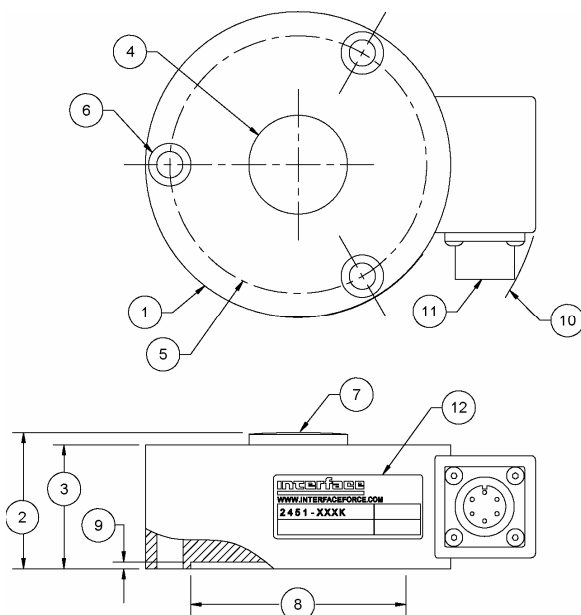
Why the Interface model 2451/2461 Standard Stainless Steel Compression-Only Load Cell is the best in class:

- Proprietary Interface temperature compensated strain gages
- Stainless steel construction
- Small compact design
- Integral load button
- Welded diaphragm



## DIMENSIONS

See Drawing	CAPACITY (lbf)			
	2451		2461	
	50K, 75K, 100K		150K, 200K	
	inch	mm	inch	mm
(1)	4.50	114.3	5.50	139.7
(2)	2.00	50.8	2.18	55.4
(3)	1.82	46.2	2.00	50.8
(4)	1.45	36.8	2.00	50.8
(5)	3.790	96.27	4.812	122.22
(6)	Clearance for 3/8 SHCS			
(7)	10.00	254.0	10.00	254.0
(8)	3.17	80.5	4.12	104.6
(9)	0.10	2.5	.05	1.3
(10)	R 3.75 MIN	R 95.2 MIN	R 4.20 MIN	R 106.7 MIN
(11)	MS3102E-14S-6P			
(12)	Identification Label			



## OPTIONS

- Submersible cable
- Standardized output
- Special connectors
- Hermetic seal

## STANDARD CONFIGURATION

MS3102E-14S-6P Connector

## SPECIFICATIONS

<b>ACCURACY – (MAX ERROR)</b>	
Static Error Band – %FS	±0.1
Nonlinearity – %FS	±0.1
Hysteresis – %FS	±0.08
Non-Repeatability – %FS	±0.02
Creep, in 20 min – %	±0.03
<b>TEMPERATURE</b>	
Compensated Range – °F	15 to 115
Operating Range – °F	-65 to 200
Effect on Zero – % RO/°F – MAX	0.002
Effect on Output – %/°F – MAX	0.002
<b>ELECTRICAL</b>	
Rated Output–mV/V (Nominal)	3.0
Excitation Voltage–VDC MAX	20
Bridge Resistance–Ohm (Nominal)	350
Zero Balance – % RO	±1.0
Insulation Resistance–Megaohm	5000 @ 50 VDC
<b>MECHANICAL</b>	
Safe Overload – % CAP	+150
Deflection @ RO–inch	0.004
Material	Stainless Steel
Connector	MS3102E-14S-6P
Seal	Environmental