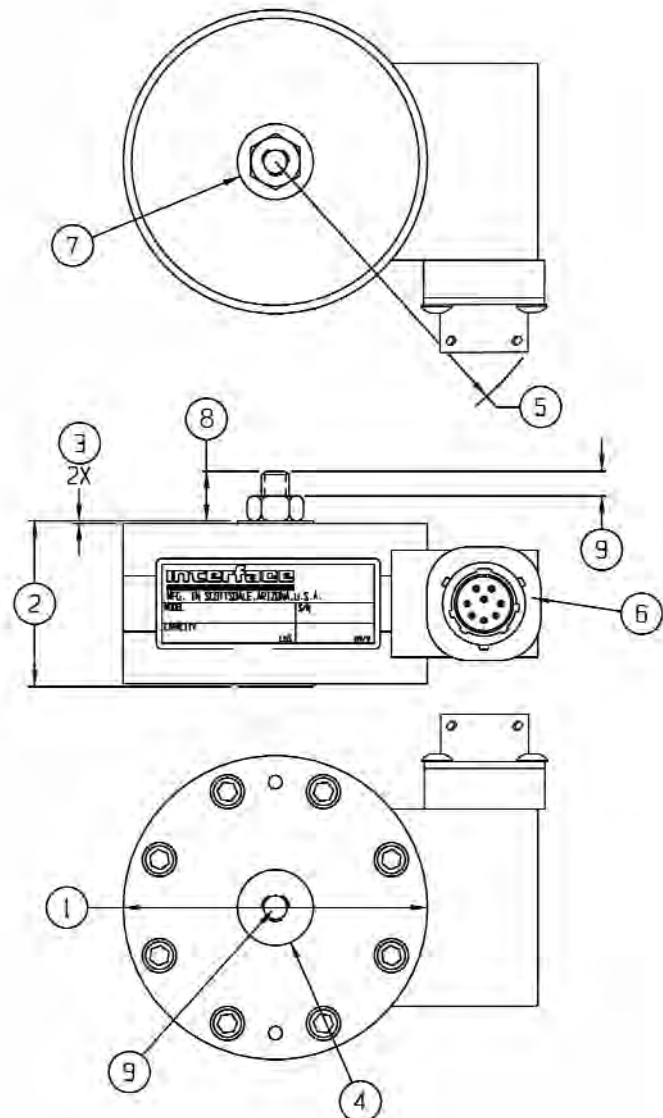


Model 1606 Gold Standard™ Low Capacity Calibration Load Cell

Why the Interface model 1606 Gold Standard™ Low Capacity Calibration Load Cells are the best in class:

- Capacities from 50 lbf to 300 lbf (250N to 1,500N)
- Tension and compression in one unit
- .005% nonrepeatability
- .02% creep
- 3 run NIST traceable ASTM E74 calibration
- Factory installed calibration adapter
- Eccentric load compensated
- .0008%/°F temp. effect on output
- 4% lower load limit per ASTM E74
- Higher capacities available



DIMENSIONS

See Drawing	CAPACITY	
	U.S. (lbf) 50,100,200,300	Metric (N) 250,500,1000,1500
	inch	mm
①	2.75	69.8
②	1.50	38.1
③	0.03	0.6
④	0.69	17.5
⑤	2.85	72.3
⑥	PT02E-12-8P	PT02E-12-8P
⑦	0.69	17.5
⑧	0.45	11.4
⑨	1/4-28 UNF 0.25 in deep	M6 X 1-6H 6.4 mm deep