

Interface Inc. claims proprietary rights in the information disclosed heron. This drawing is furnished in confidence on the express understanding that neither it nor any reproduction thereof will be disclosed to others or used for the purpose of manufacture or procurement of the artical or part shown heron without written permission of Interface Inc. The drawing shall remain the property of Interface Inc. and shall be returned upon request by Interface Inc.

80717

REVISIONS

REV	DESCRIPTION	DATE	APPROVED
A	INITIAL RELEASE	08/16/07	

M10x1-6H THRU
 $\square \text{ } \phi 12.70^{+0.05}_0 \left[\begin{matrix} .500^{+.002} \\ -.000 \end{matrix} \right] \times \nabla 2 [.1]$
 TOP & BOTTOM

$\phi 5.3 [.21]$ THRU
 6 HOLES EQ SP

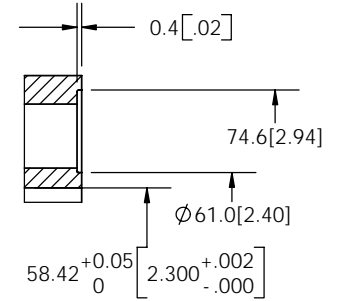
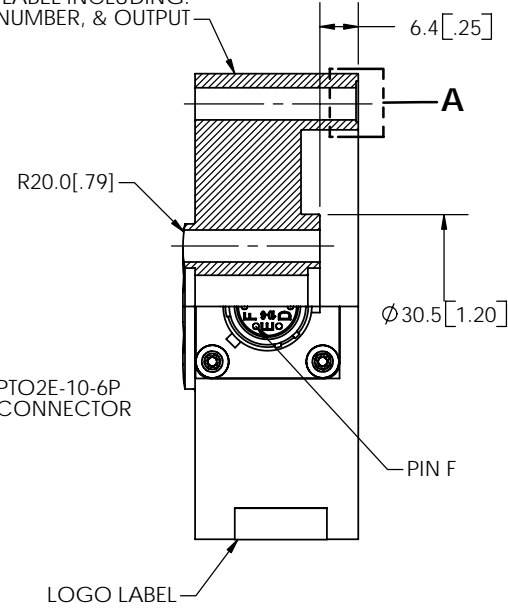
$\phi 67.0 [2.64]$

$\phi 20.0 [.76]$

$\phi 5.3 [.21]$ THRU
 6 HOLES EQ SP

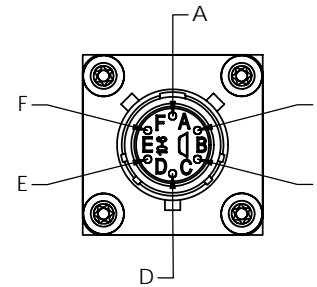
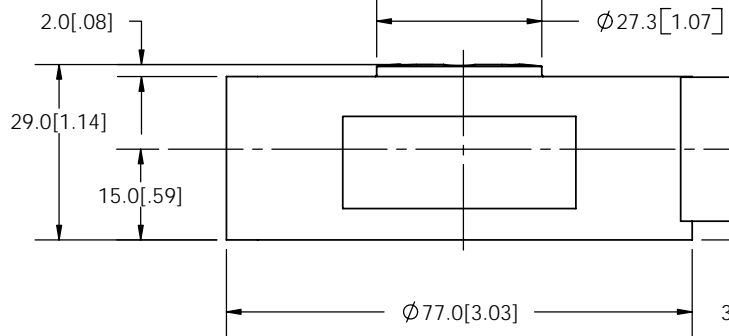
60°

IDENTIFICATION LABEL INCLUDING:
 MODEL, SERIAL NUMBER, & OUTPUT



DETAIL A
 SCALE 2 : 1.25

TENSION



CONNECTOR PINOUT	
PIN	FUNCTION
A	+ EXCITATION
B	+ SIGNAL
C	- SIGNAL
D	- EXCITATION
E	- SENSE
F	+ SENSE

STANDARD CONNECTION

TENSION UPSCALE

3. FLEXURE MATERIAL: ALUMINUM
2. DIMENSIONAL TOLERANCE: $\pm 0.3 [0.01]$
1. ALL DIMENSIONS ARE IN mm & [INCHES] UNLESS OTHERWISE SPECIFIED.

ALL DIMENSIONS ARE FOR REFERENCE ONLY AND SUBJECT TO CHANGE. CONTACT ENGINEERING DEPARTMENT TO CONFIRM VALIDITY.

CREATOR	DATE
LARRY B.	08/16/07
J.A.S.	08/16/07

interface
 ADVANCED FORCE MEASUREMENT
 7401 E. BUTHERUS DR. SCOTTSDALE, AZ USA 85260

TITLE:
 OUTLINE, MODEL
 1710DLL-1kN,-2.5kN,-5kN,-6.3kN

SIZE: A	DWG. NO: 80717	REV: A
SCALE: 1:1.25	SHEET 1 OF 1	