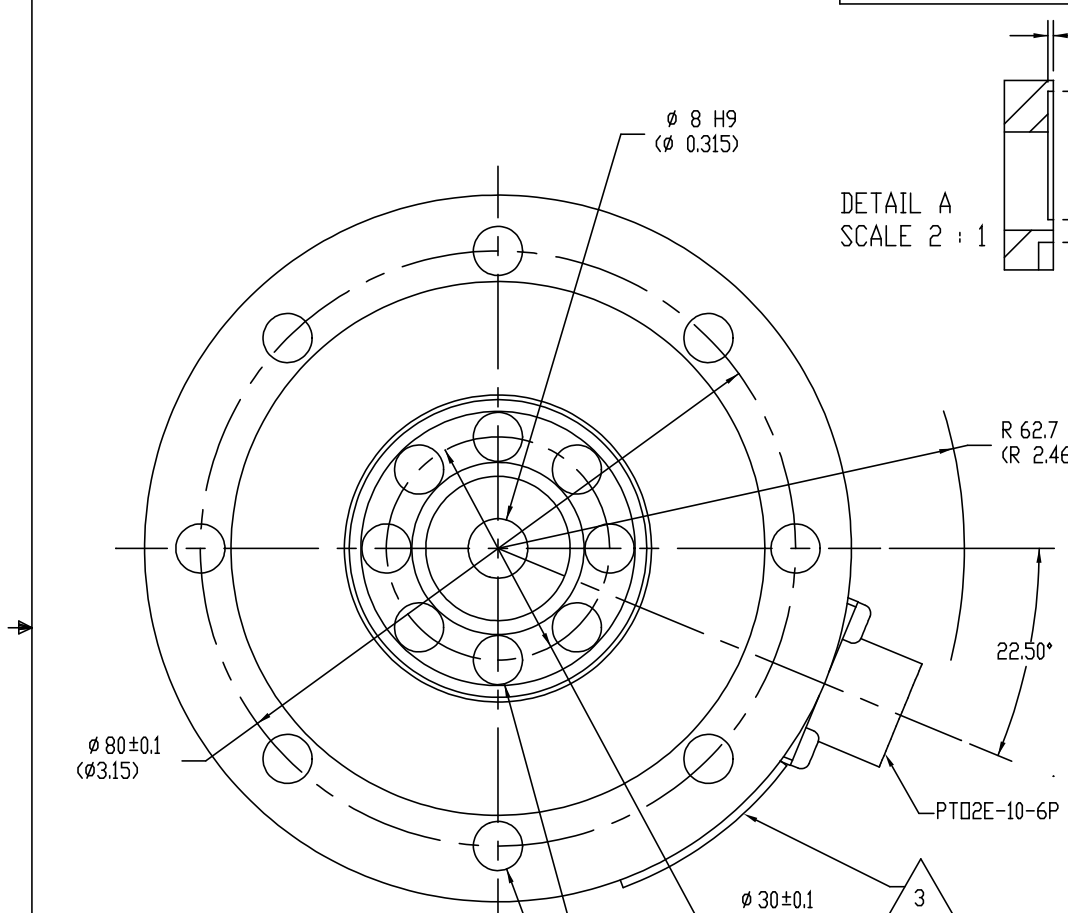


Interface Inc. claims proprietary rights in the information disclosed herein. This drawing is furnished in confidence on the express understanding that neither it nor any reproduction thereof will be disclosed to others or used for the purpose of manufacture or procurement of the article or part shown herein without written permission of Interface Inc. The drawing shall remain the property of Interface Inc. and shall be returned upon request by Interface Inc.

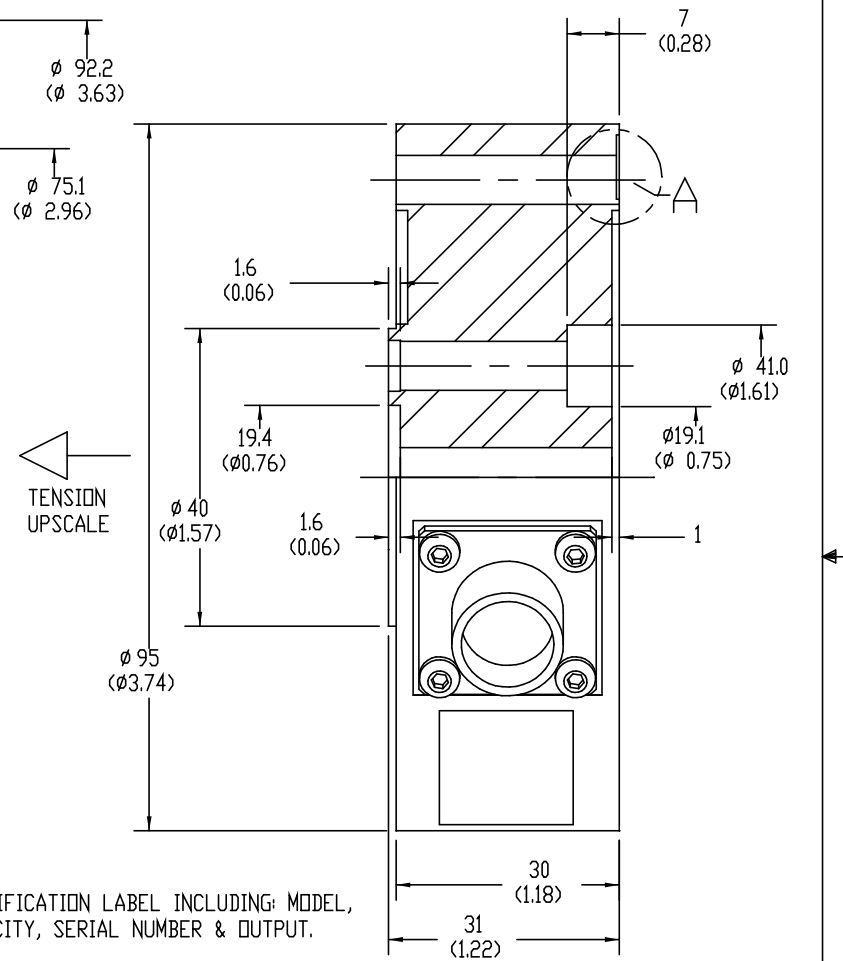
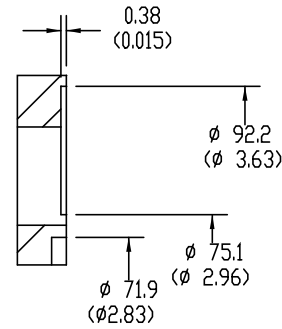
80489

REVISIONS

REV	DESCRIPTION	DATE	APPROVED
A	INITIAL RELEASE	09/15/04	
B	PTD2E-10-6P WAS PCD4E-10-6P	11/30/04	



DETAIL A  
SCALE 2 : 1



3 IDENTIFICATION LABEL INCLUDING: MODEL, CAPACITY, SERIAL NUMBER & OUTPUT.

2. DIMENSIONAL TOLERANCE: ± 0.3 (±0.01).

1. ALL DIMENSIONS ARE IN MM AND (INCHES)

CONNECTOR MODELS	
PIN	FUNCTIONS
A	+ EXCITATION
B	+ OUTPUT
C	- OUTPUT
D	- EXCITATION
E	- SENSE
F	+ SENSE

STANDARD CONNECTION

ALL READ UPSCALE IN TENSION  
AND DOWNSCALE IN COMPRESSION

UNLESS OTHERWISE SPECIFIED DIMENSIONS ARE IN INCHES TOLERANCES ARE: ANGLES ± 0°30'	REMOVE BURRS AND SHARP EDGES .02 MAX SURFACE FINISH 63 MICROINCHES	<b>interface</b> ADVANCED FORCE MEASUREMENT 7401 E. BOTHERUS DR. SCOTTSDALE, AZ USA 85260	
	CREATOR	DATE	TITLE:
.XX .XXX STD. RADII 0.4-0.9 (.015 - .035) ØROUND 0.05 (.002)	DESIGNED: LARRY B.	05/11/04	OUTLINE MODEL 1720-10KN, 20KN
MATERIAL: ALLOY STEEL	WEIGHT:	DETAILED: J.E.P.	05/11/04
FINISH:	OUTPUT:	CAM DATA: No	SIZE: DWG. NO: 80489 SCALE: 1:1
			REV: B SHEET 1 OF 1