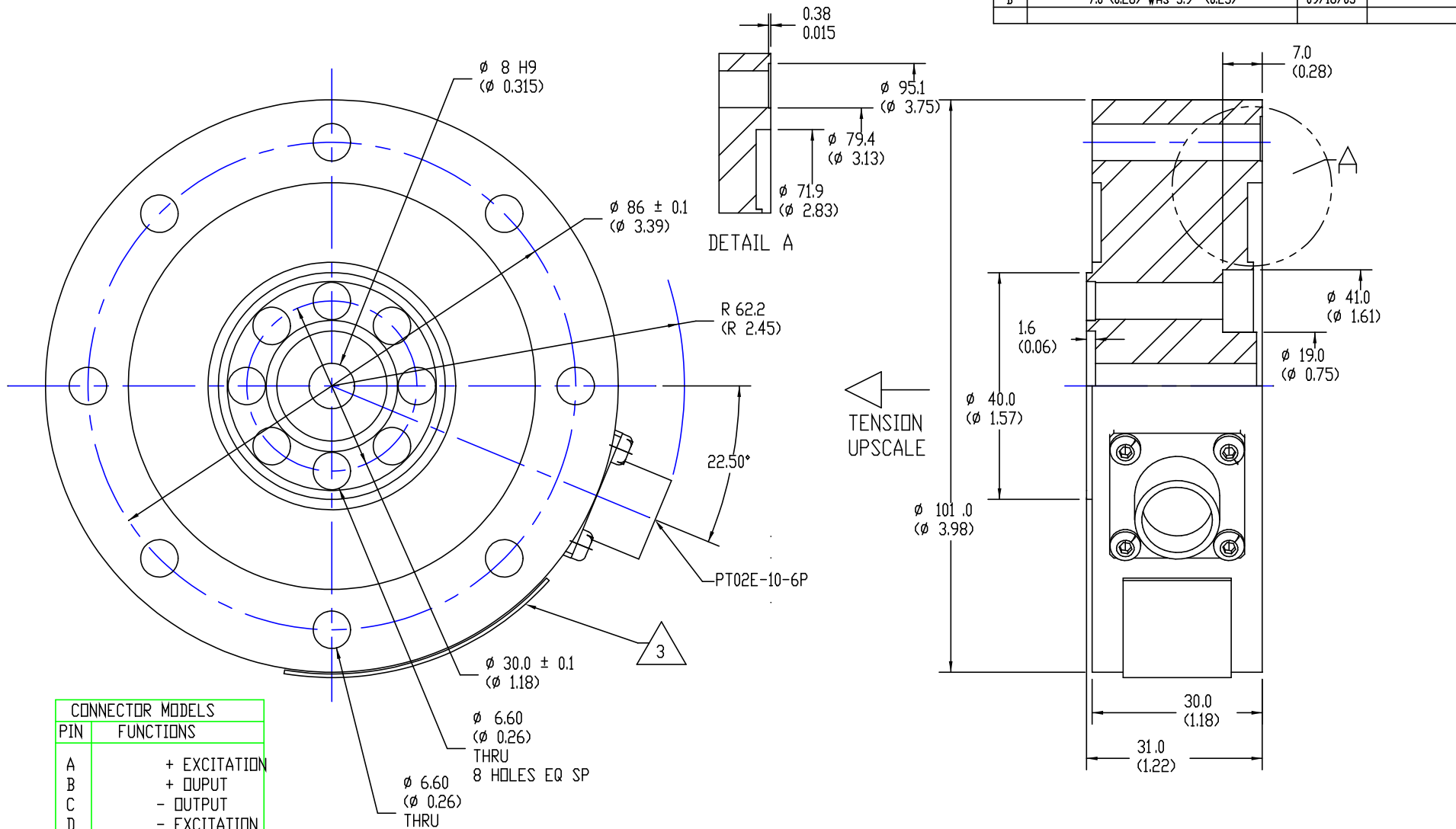


Interface Inc. claims proprietary rights in the information disclosed hereon. This drawing is furnished in confidence on the express understanding that neither it nor any reproduction thereof will be disclosed to others or used for the purpose of manufacture or procurement of the article or part shown hereon without written permission of Interface Inc. The drawing shall remain the property of Interface Inc. and shall be returned upon request by Interface Inc.

80567

REVISIONS

REV.	DESCRIPTION	DATE	APPROVED
A	INITIAL RELEASE	09/12/05	
B	7.0 (0.28) WAS 5.9 (0.23)	09/16/05	



CONNECTOR MODELS	
PIN	FUNCTIONS
A	+ EXCITATION
B	+ OUTPUT
C	- OUTPUT
D	- EXCITATION
E	- SENSE
F	+ SENSE

STANDARD CONNECTION

ALL READ UPSCALE IN TENSION AND DOWNSCALE IN COMPRESSION

3 IDENTIFICATION LABEL INCLUDING: MODEL, CAPACITY, SERIAL NUMBER & OUTPUT.

2. DIMENSIONAL TOLERANCE: ± 0.3 (±0.01).

1. ALL DIMENSIONS ARE IN MM AND (INCHES)

UNLESS OTHERWISE SPECIFIED DIMENSIONS ARE IN INCHES TOLERANCES ARE ANGLES ± 0.30° .XX .XXX STD. RADII 0.4-0.9 (.015 - .035) Ø/RUNOUT 0.05 (.002)		REMOVE BURRS AND SHARP EDGES .02 MAX SURFACE FINISH 63 MICROINCHES		interface	
CREATOR		DATE		ADVANCED FORCE MEASUREMENT 7401 E. BUTHERUS DR. SCOTTSDALE, AZ USA 85260	
DESIGNED: JDE G.		09/06/05		TITLE: OUTLINE MODEL: 1730-50KN	
DETAILED: J.E.P.		09/06/05		SIZE: A DWG. NO: 80567	
MATERIAL: ALLOY STEEL	WEIGHT:	CAM DATA: No	SCALE: 1:1		REV: B
FINISH:	OUTPUT:	SHEET 1 OF 1		CAD FILE (N:\80567\B.SLD.DRAW)	